

LUBRICATION

ORDER

LO 5-4210-213-12

20 APRIL 1971 (Supersedes LO 5-4210-213-12, Dated 28 JUNE 1968)

**TRUCK, FIRE FIGHTING: POWER PUMPER; FOAM AND WATER 500
G.P.M, CENTRIFUGAL PUMP, POWER TAKE-OFF DRIVEN; 400 GAL
WATER TANK, 40 GAL FOAM CHEMICAL TANK (WARD LAFRANCE
TRUCK CORP MODEL M45A2WLF) AND (AMERICAN AIR FILTER MODEL FT 500)**

Reference: LO 9-2320-209-12 and C9100-I L

Intervals are based on normal hours of operation. Adjust to compensate for abnormal operation and severe conditions. During inactive periods sufficient lubrication must be performed for adequate preservation.

Clean fittings before lubricating.

Relubricate after washing.

A dotted circle indicates a drain below.

Clean parts with SOLVENT, dry-cleaning, or with OIL, fuel, Diesel. Dry before lubricating.

Lubricate points indicated by dotted arrow shafts on both sides of equipment

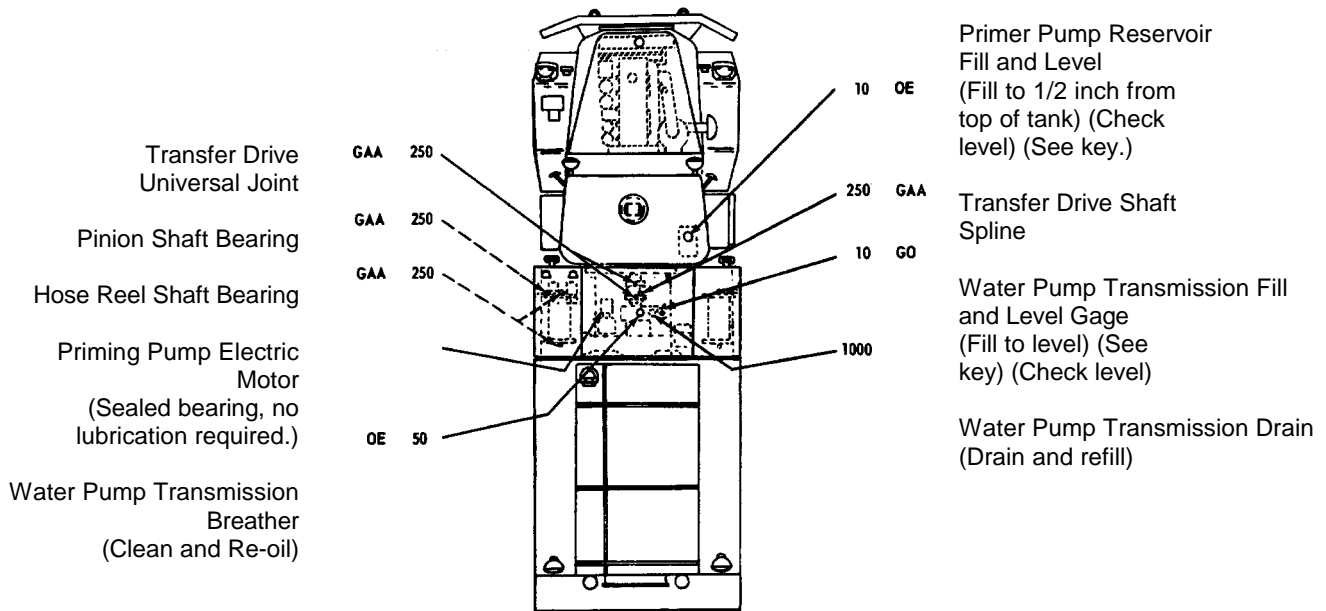
Drain transmission when hot. Fill and check level.

FOLD

LUBRICANT • INTERVAL

LUBRICANT • INTERVAL

FOLD



-KEY-

LUBRICANTS	CAPACITY	EXPECTED TEMPERATURES			INTERVALS
		Above + 32° F	+ 40° F to -10° F	0° F to -65° F	
OE-OIL, Engine, Heavy Duty		OE 30	OE 10	OES	Intervals given are in hours of normal operation
Primer Pump Reservoir	6 qts				
Oil Can Points					
OES-OIL, Engine, Subzero		GO 90	GO 90	GOS	
GO-LUBRICATING OIL, Gear					
Fire Pump Transmission	2 qts				
GOS-LUBRICATING OIL, Gear, Sub-zero		ALL TEMPERATURES			
GAA-GREASE, Automotive and Artillery					

NOTES:

- FOR OPERATION OF EQUIPMENT IN PROTRACTED COLD TEMPERATURES BELOW -10°F Remove lubricants prescribed in the key for temperatures above -10°F. Relubricate with lubricants specified in the key for temperatures below -10°F.
- OIL CAN POINTS. Every 50 hours lubricate pivot pins, door hinges and fasteners, control linkages, and all exposed adjusting threads with OE.
- LUBRICANTS. The following is a list of lubricants with the Military Symbols and the applicable specification numbers.

10924	OE-MIL-L-2104	GAA-MIL-G-
10324	OES-MIL-L-10295	GOS-MIL-L-
	GO-MIL-L-2105	

Copy of this Lubrication Order will remain with the equipment at all times; instructions contained herein are mandatory.


BY ORDER OF THE SECRETARY OF THE ARMY:

OFFICIAL:

VERNE L. BOWERS
Major General, United States Army
The Adjutant General

LO 5-210-213-12 DISTRIBUTION: To be distributed in accordance with DA Form 12-25 Section I, (qty req block #121) operator's requirements for Equipment: Fire Fighting.

RECOMMENDED CHANGES TO EQUIPMENT TECHNICAL PUBLICATIONS

 <div style="border: 1px solid black; border-radius: 15px; padding: 5px; display: inline-block; margin-left: 20px;"> <p style="margin: 0;"><i>THEN...JOT DOWN THE DOPE ABOUT IT ON THIS FORM. CAREFULLY TEAR IT OUT, FOLD IT AND DROP IT IN THE MAIL.</i></p> </div>		SOMETHING WRONG WITH PUBLICATION		
		FROM: (PRINT YOUR UNIT'S COMPLETE ADDRESS)		
PUBLICATION NUMBER		DATE SENT		
PUBLICATION DATE		PUBLICATION TITLE		
BE EXACT PIN-POINT WHERE IT IS				
PAGE NO.	PARA- GRAPH	FIGURE NO.	TABLE NO.	<p style="text-align: center; font-weight: bold;">IN THIS SPACE, TELL WHAT IS WRONG AND WHAT SHOULD BE DONE ABOUT IT.</p>
PRINTED NAME, GRADE OR TITLE AND TELEPHONE NUMBER			SIGN HERE	

PIN: 030055-000

This fine document...

Was brought to you by me:



[Liberated Manuals -- free army and government manuals](#)

Why do I do it? I am tired of sleazy CD-ROM sellers, who take publicly available information, slap “watermarks” and other junk on it, and sell it. Those masters of search engine manipulation make sure that their sites that sell free information, come up first in search engines. They did not create it... They did not even scan it... Why should they get your money? Why are not letting you give those free manuals to your friends?

I am setting this document FREE. This document was made by the US Government and is NOT protected by Copyright. Feel free to share, republish, sell and so on.

I am not asking you for donations, fees or handouts. If you can, please provide a link to liberatedmanuals.com, so that free manuals come up first in search engines:

<A HREF=<http://www.liberatedmanuals.com/>>Free Military and Government Manuals

– Sincerely
Igor Chudov
<http://igor.chudov.com/>