

**APPENDIX D**  
PART 572, SUBPART P (3 YEAR-OLD) DUMMY PERFORMANCE CALIBRATION TEST  
PROCEDURE

**APPENDIX D**  
PART 572, SUBPART P DUMMY PERFORMANCE CALIBRATION TEST PROCEDURE

**TABLE OF CONTENTS**

	<b>PAGE</b>
1. PURPOSE AND APPLICATION .....	D-1
2. GENERAL REQUIREMENTS .....	D-1
3. SECURITY .....	D-1
4. GOOD HOUSEKEEPING .....	D-2
5. TEST SCHEDULING AND MONITORING.....	D-2
6. TEST DATA DISPOSITION .....	D-2
7. GOVERNMENT FURNISHED PROPERTY (GFP).....	D-2
8. CALIBRATION AND TEST INSTRUMENTATION.....	D-5
9. PHOTOGRAPHY .....	D-6
10. DEFINITIONS .....	D-6
11. PRETEST REQUIREMENTS.....	D-6
11.1 TRANSDUCER REQUIREMENTS.....	D-6
11.2 OTHER TRANSDUCER CONDITIONS.....	D-7
11.3 THORAX IMPACTOR PROBE .....	D-8
11.4 GENERAL TEST CONDITIONS.....	D-11
12. CALIBRATION TEST EXECUTION .....	D-11
13. POST TEST REQUIREMENTS .....	D-11
14. REPORTS .....	D-11
14.1 APPARENT TEST FAILURE .....	D-11
14.2 FINAL PERFORMANCE CALIBRATION REPORTS .....	D-12
15. DATA SHEETS .....	D-14
D1 DUMMY DAMAGE CHECKLIST .....	D-14
D2 EXTERNAL MEASUREMENTS .....	D-16
D3 HEAD DROP TEST .....	D-22
D4 NECK FLEXION TEST .....	D-25
D5 NECK EXTENSION TEST .....	D-27
D6 THORAX IMPACT TEST .....	D-32
D7 TORSO FLEXION TEST .....	D-37
D8 INSTRUMENTATION CALIBRATION INFORMATION .....	D-40

## ILLUSTRATIONS

	<b>PAGE</b>
1D. HANGER PLATE .....	D-3
2D. DUMMY HANGER .....	D-4
3D. SIGN CONVENTION .....	D-9
4D. EXTERNAL DIMENSIONS SPECIFICATIONS .....	D-19
5D. EXTERNAL DIMENSIONS TEST SETUP -- FRONT VIEW .....	D-20
6D. EXTERNAL DIMENSIONS TEST SETUP -- SIDE VIEW .....	D-21
7D. HEAD DROP TEST SETUP SPECIFICATION .....	D-24
8D. NECK PENDULUM SPECIFICATIONS .....	D-29
9D. NECK FLEXION TEST SETUP SPECIFICATIONS .....	D-30
10D. NECK EXTENSION TEST SETUP SPECIFICATIONS .....	D-31
11D. THORAX IMPACT TEST SETUP SPECIFICATIONS .....	D-35
12D. THORAX HYSTERESIS .....	D-36
13D. TORSO FLEXION TEST SETUP SPECIFICATIONS .....	D-39

## TABLES

1D. SIGN CONVENTION FOR HYBRID III TRANSDUCER OUTPUTS .....	D-10
---	------

## **1. PURPOSE AND APPLICATION**

The purpose of this laboratory procedure is to provide dummy users (independent testing laboratories under contract with the Office of Vehicle Safety Compliance) with standard test procedures for performing receiving-inspection and performance calibration tests on the Part 572, Subpart P dummy so that repetitive and correlative test results can be obtained. The following tests have been developed to establish a uniform calibration procedure for all users as the means of verifying the performance of the dummy.

- A. EXTERNAL DIMENSIONS (PADI)
- B. HEAD DROP TEST (572.142)
- C. NECK FLEXION TEST (572.143(b)(1))
- D. NECK EXTENSION TEST 572.143(b)(2)
- E. THORAX IMPACT TEST ((572.144)
- F. TORSO FLEXION (572.145)

National Highway Traffic Safety Administration (NHTSA) contract laboratories performing FMVSS 213 testing for the Office of Vehicle Safety Compliance (OVSC) must use this laboratory procedure for the calibration of Part 572, Subpart P dummies.

## **2. GENERAL REQUIREMENTS**

The Code of Federal Regulations (49CFR), Parts 571 and 572, was amended to adopt the Hybrid III, 3-Year-Old Child Dummy as the means of determining a Child Restraint System's (CRS's) conformance to the performance requirements of FMVSS 213. Each Part 572, Subpart P dummy used in a compliance test must meet the specifications and performance criteria of Part 572 before and after each CRS test in order to be an acceptable compliance test tool.

The Part 572, Subpart P Hybrid III, 3-Year-Old Child Dummy consists of components and assemblies specified in the drawing and specifications package which is available from Reprographics Technologies, 9000 Virginia Manor, Beltsville, MD 20705, telephone - (301) 419-5070.

## **3. SECURITY**

All NHTSA Part 572, Subpart P test dummies delivered to the contract laboratory as Government Furnished Property (GFP) will be stored in a safe and secure area such as the dummy calibration laboratory. The contractor is financially responsible for any acts of theft and/or vandalism that occur during the storage of GFP. Any security problems shall be reported by telephone to the Industrial Property Manager (IPM), Office of Contracts and Procurement, within two working days after the incident. A letter containing specific details of the security problem will be sent to the IPM (with copy to the COTR) within 48 hours.

The contractor is responsible for maintaining the NHTSA test dummies in good working order, and shall protect and segregate the data that evolves from conducting Part 572, Subpart P dummy calibration tests before and after each low risk deployment usage.

No Information concerning the Part 572, Subpart P dummy calibration data shall be released to anyone except the COTR, unless specifically authorized by the COTR or the COTR's Branch or Division Chief.

**NOTE:** No Individuals, other than contractor personnel directly involved in the dummy calibration test program, shall be allowed to witness dummy calibration tests unless specifically authorized by the COTR.

#### **4. GOOD HOUSEKEEPING**

Contractors shall maintain the entire dummy calibration laboratory, test fixtures, and instrumentation in a neat, clean, and painted condition with test instruments arranged in an orderly manner consistent with good test laboratory housekeeping practices.

#### **5. TEST SCHEDULING AND MONITORING**

The Part 572, Subpart P dummies are being calibrated as test tools to be used in a CRS test to determine compliance with the requirements of FMVSS 213. The schedule for these performance calibration tests must be correlated with that of the CRS tests. All testing shall be coordinated to allow monitoring by the COTR.

#### **6. TEST DATA DISPOSITION**

The contractor shall make all dummy calibration data available to the COTR for review and analysis as required. All calibration test data for each particular Part 572, Subpart P dummy will be sent to the COTR with each test report.

All backup data sheets, strip charts, recordings, plots, technicians notes, etc. shall be either sent to the COTR or destroyed at the conclusion of each delivery order, purchase order, etc.

#### **7. GOVERNMENT FURNISHED PROPERTY (GFP)**

Part 572, Subpart P test dummies will be furnished to the contract laboratory by the OVSC. The dummies shall be stored in a hanging position using the bracket and positioning shown in the following drawings.

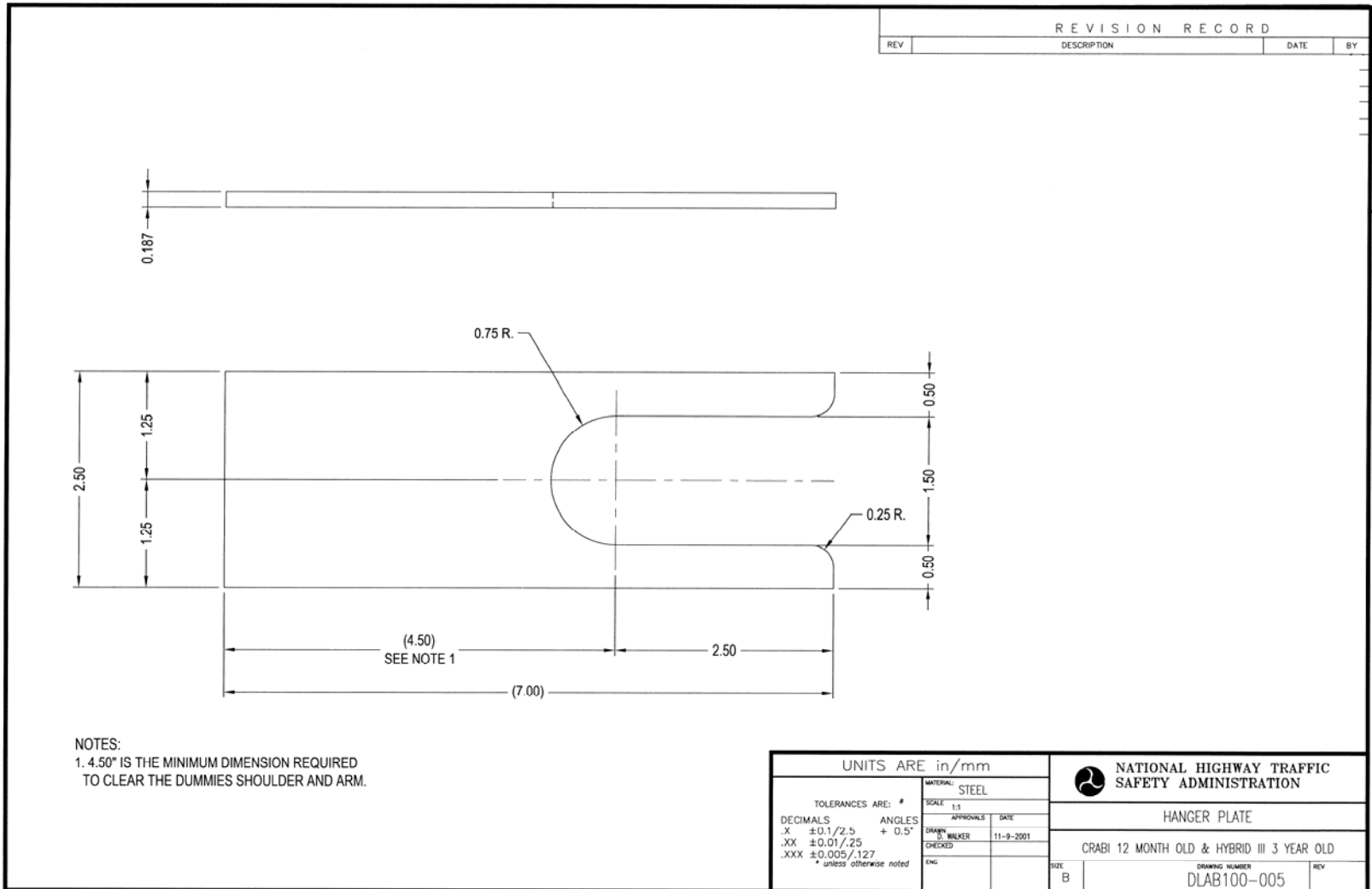
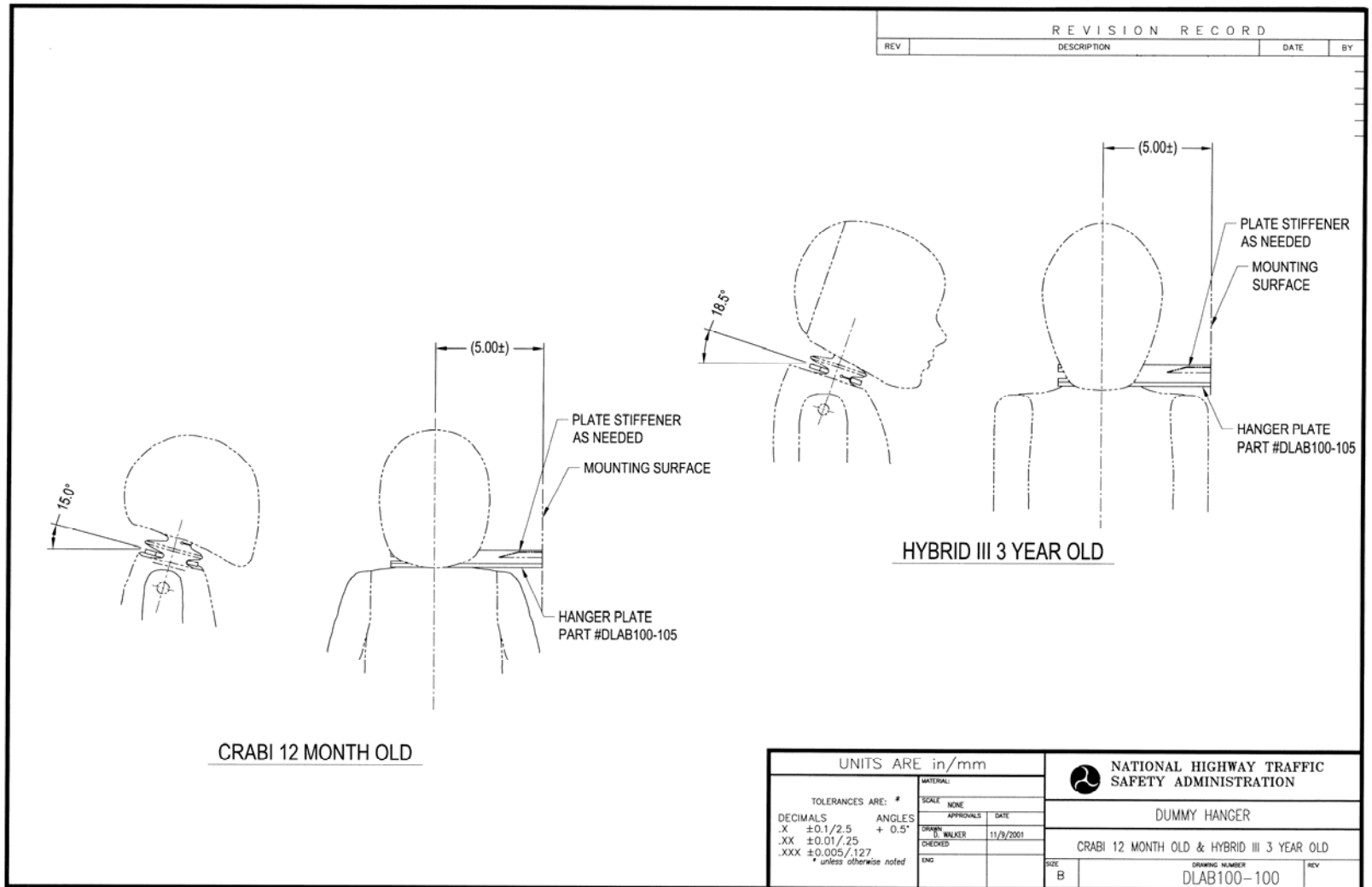


FIGURE 1D



**FIGURE 2D**

These dummies shall be stored in a secured room that is kept between 55°F and 85°F. The contractor will check dummy components for damage after each low risk deployment test and complete a dummy damage checklist that will be included with the posttest dummy calibration. The COTR will be kept informed of the dummies condition in order that replacement parts can be provided.

## **8. CALIBRATION AND TEST INSTRUMENTATION**

Before the contractor initiates the dummy performance calibration test program, a test instrumentation calibration system must be implemented and maintained in accordance with established calibration practices. The calibration system shall be set up and maintained as follows:

- A. Standards for calibrating the measuring and test equipment shall be stored and used under appropriate environmental conditions to assure their accuracy and stability.
- B. All measuring instruments and standards shall be calibrated by the contractor, or a commercial facility, against a higher order standard at periodic intervals not exceeding 6 months for instruments and 12 months for calibration standards. Records, showing the calibration traceability to the National Institute of Standards and Technology (NIST), shall be maintained for all measuring and test equipment.
- C. All measuring and test equipment and measuring standards shall be labeled with the following information:
  - (1) Date of calibration
  - (2) Date of next scheduled calibration
  - (3) Name of the technician who calibrated the equipment
- D. The contractor shall provide a written calibration procedure that includes, as a minimum, the following information for all measurement and test equipment:
  - (1) Type of equipment, manufacturer, model number, etc.
  - (2) Measurement range
  - (3) Accuracy
  - (4) Calibration interval



- (5) Type of standard used to calibrate the equipment (calibration traceability of the standard must be evident)
  - (6) The actual procedures and forms used to perform calibrations.
- E. The contractor shall keep records of calibrations for all test instrumentation in a manner that assures the maintenance of established calibration schedules. All such records shall be readily available for inspection when requested by the COTR. The calibration system will need the written acceptance of the COTR before testing begins.
- F. Test equipment shall receive a calibration check immediately prior to and after each test. This check shall be recorded by the test technician(s) and submitted with the final report.

## **9. RESERVED**

## **10. DEFINITIONS**

PADI: Procedures for Assembly, Disassembly, and Inspection

## **11. PRETEST REQUIREMENTS**

### **11.1 TRANSDUCER REQUIREMENTS**

The contractor shall provide and install the following instrumentation to the GFP dummies (excluding the chest deflection transducer).

- A. HEAD – The head accelerometers shall have dimensions, response characteristics and sensitive mass locations specified in drawing SA572-S4 and be mounted in the head as shown in drawing 210-0000. (572.146(b))

Three accelerometers shall be mounted in the head cavity to measure orthogonal accelerations ( $A_x$ ,  $A_y$ ,  $A_z$ ) at the center of gravity (CG) of the head assembly.

- B. NECK – The upper neck force transducer shall have the dimensions, response characteristics, and sensitive axis locations specified in drawing SA572-S19 and shall be mounted at the upper neck transducer location as shown in drawing 210-0000. (572.146(c))

- C. CHEST – The chest accelerometers shall have the dimensions, response characteristics, and sensitive mass locations specified in drawing SA572-S4 and be mounted in the torso assembly in traxial configuration at the T4 location as shown drawing 210-0000. The chest accelerometers are not

required for dummy calibration testing but are required for FMVSS 208 low risk deployment testing. (572.146(e))

The chest deflection potentiometer shall have the dimensions and response characteristics specified in drawing SA572-S50 and be mounted in the torso assembly as shown in drawing 210-0000. (572.146(f))

- D. TEST FIXTURE – The neck pendulum, thorax and knee probe accelerometers shall have the dimensions and characteristics of drawing SA572-S4.

## 11.2 OTHER TRANSDUCER CONDITIONS

- A. TRANSDUCER MOUNTS – The mountings for sensing devices shall have no resonance frequency less than 3 times the frequency range of the applicable channel class. (572.146(n))
- B. TRANSDUCER SIGN CONVENTION - The sign convention for outputs of transducers mounted within the dummy that measure head and chest accelerations, chest deflection and neck loads are located in Figure 3D and Table 1D. For other transducers see SAE J1733DEC94. (572.146(m))
- C. TRANSDUCER OUTPUTS and FILTERING - The outputs of acceleration and force-sensing devices installed in the dummy and in the test apparatus specified by this part are recorded with individual data channels. Each data channel will be comprised of a sensor, signal conditioner, data acquisition device, and all interconnecting cables, and must conform to the requirements of SAE Recommended Practice J211/1 MAR95, "Instrumentation for Impact Test," with channel classes as follows: (572.146(l))

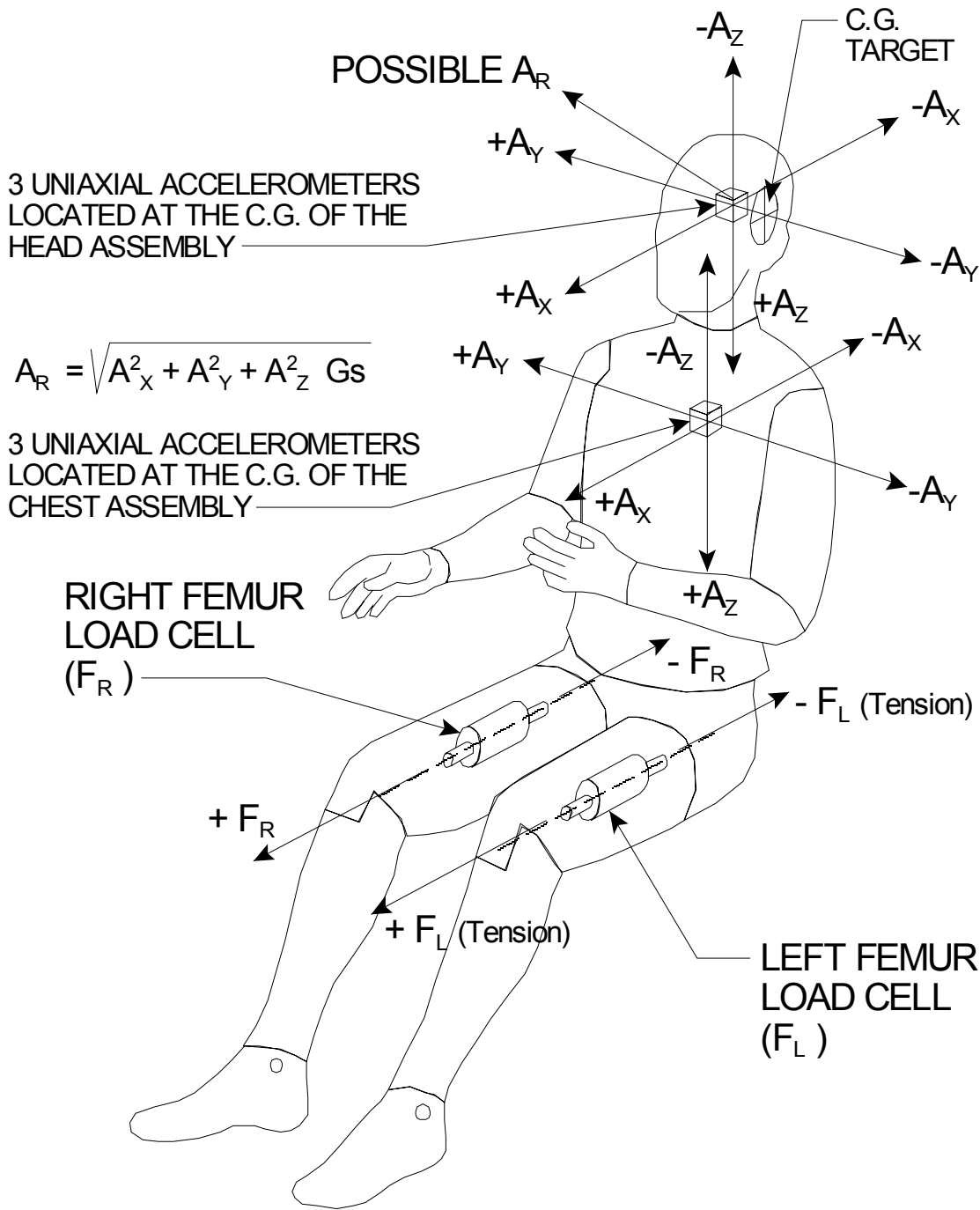
(1) Head acceleration	Class 1000	(572.146(l)(1))
(2) Neck force	Class 1000	(572.146(l)(2)(i))
(3) Neck pendulum acceleration	Class 180	(572.146(l)(2)(iii))
(4) Neck moment	Class 600	(572.146(l)(2)(ii))
(5) Neck potentiometer	Class 60	(572.146(l)(2)(iv))
(6) Thorax spine acceleration	Class 180	(572.146(l)(3)(ii))
(7) Thorax pendulum acceleration	Class 180	(572.146(l)(3)(ii))
(8) Sternum deflection	Class 600	(572.146(l)(3)(iii))
(9) Lumbar torso flexion	Class 60	(572.146(l)(4)(iii))

All filter classes should be of the "phaseless" type to be compatible with the "time" dependent test parameters.

### 11.3 THORAX IMPACTOR PROBE (572.146(a))

- A. The test probe for thoracic impacts shall be of rigid metallic construction, concentric in shape and symmetric about its longitudinal axis.
- B. It shall have a mass of  $1.70 \pm 0.01$  kg ( $3.75 \pm 0.02$  lbs). 1/3 of the weight of the suspension cables and their attachments to the impact probe must be included in the calculation of mass, and such components may not exceed 5 percent of the total weight of the test probe.
- C. It shall have a minimum mass moment of inertia of  $283 \text{ kg-cm}^2$  ( $0.25 \text{ lbs-in-sec}^2$ ) in yaw and pitch about the center of gravity.
- D. The impacting end of the probe is perpendicular to and concentric with the longitudinal axis. It must have a flat, continuous, and non-deformable face with a diameter of  $50.8 \pm 0.2$  mm ( $2.00 \pm 0.01$  in) and a maximum edge radius of 12.7 mm (0.5 in).
- E. The impactor is a cylinder with a diameter of 53.3 mm (2.1 in) and it is at least 25.4 mm (1.0 in) long.
- F. The probe's end opposite to the impact face must have provisions for mounting of an accelerometer with its sensitive axis collinear with the longitudinal axis of the probe.
- G. The impact probe shall have a free air resonant frequency of not less than 1000 Hz in the direction of the longitudinal direction of the impactor.

**SIGN CONVENTION FOR PART 572 TEST DUMMIES**



$$A_R = \sqrt{A_X^2 + A_Y^2 + A_Z^2} \text{ Gs}$$

**FIGURE 3D**

**TABLE 1D**

<b>SIGN CONVENTION FOR HYBRID III TRANSDUCER OUTPUTS</b>	
<b>BODY SEGMENT — MEASURED FORCE</b>	<b>POSITIVE OUTPUT DIRECTION</b>
NECK FX SHEAR FY SHEAR FZ AXIAL  MX MOMENT (ROLL) MY MOMENT (PITCH) MZ MOMENT (YAW)	HEAD REARWARD OR CHEST FORWARD HEAD LEFTWARD, CHEST RIGHTWARD HEAD UPWARD, CHEST DOWNWARD  LEFT EAR TOWARD LEFT SHOULDER CHIN TOWARD STERNUM CHIN TOWARD LEFT SHOULDER
FEMUR FX SHEAR FY SHEAR FZ AXIAL  MX MOMENT (ROLL) MY MOMENT (PITCH) MZ MOMENT (YAW)	KNEE UPWARD, UPPER FEMUR DOWNWARD KNEE RIGHTWARD, UPPER FEMUR LEFTWARD KNEE FORWARD (TENSION), PELVIS REARWARD  KNEE LEFTWARD, HOLD UPPER FEMUR IN PLACE KNEE UPWARD, HOLD UPPER FEMUR IN PLACE KNEE ROTATED CCW WHEN FACING FRONT OF DUMMY
KNEE CLEVIS - FZ AXIAL	TIBIA DOWNWARD (TENSION), FEMUR UPWARD
UPPER TIBIA MX MOMENT MY MOMENT	ANKLE LEFTWARD, HOLD KNEE IN PLACE ANKLE FORWARD, BOTTOM OF KNEE CLEVIS REARWARD
LOWER TIBIA FX SHEAR FY SHEAR FZ AXIAL  MX MOMENT MY MOMENT	ANKLE FORWARD, KNEE REARWARD ANKLE RIGHTWARD, KNEE LEFTWARD ANKLE DOWNWARD (TENSION), KNEE UPWARD  ANKLE LEFTWARD, HOLD KNEE IN PLACE ANKLE FORWARD, BOTTOM OF KNEE CLEVIS REARWARD
CHEST DISPLACEMENT	CHEST COMPRESSED - NEGATIVE
KNEE SHEAR DISPLACEMENT	PUSH ON FRONT OF TIBIA - NEGATIVE

**NOTE:** DIRECTIONS ARE DEFINED IN RELATION TO A SEATED DUMMY

## 11.4 GENERAL TEST CONDITIONS

- A. Surfaces of dummy components are not painted unless otherwise specified. (572.146(q))
- B. Dummy performance tests of the same component, segment, assembly, or fully assembled dummy are separated in time by a period of not less than 30 minutes unless otherwise specified. (572.146(p))
- C. Except for neck assembly and thorax assembly testing, the dummy performance tests are conducted at any temperature from 18.9°C (66°F) to 25.6°C (78°F) and at any relative humidity from 10% to 70% after exposure of the dummy to these conditions for a period of not less than 4 hours. For the neck assembly and thorax assembly, the temperature range is 20.6°C (69°F) to 22.2°C (72°F)
- D. Dummy limb joints are set at 1 G, barely restraining the weight of the limb when it is extended horizontally. The force required to move a limb segment does not exceed 2 Gs throughout the range of limb motion. (572.146(o))
- E. Dummies will be clothed for the thorax calibration tests with a form fitting cotton-polyester-based tight-fitting long-sleeved shirt and ankle length pants. The total weight of the shirt and pants shall not exceed 0.25 kg (0.55 lb). (572.144(c)(1))

## 12. CALIBRATION TEST EXECUTION

Complete the Data Sheets in section 15.

## 13. POST TEST REQUIREMENTS

The contractor shall verify all instrumentation and check data sheets and photographs. Make sure data is recorded in all data blocks on every performance calibration test data sheet.

## 14. REPORTS

### 14.1 APPARENT NONCONFORMANCE

During the posttest calibration verification, any indication of apparent nonconformance to the requirements of Regulation P572 shall be communicated by telephone to the COTR within 24 hours with written notification mailed within 48 hours (Saturdays and Sundays excluded). Written notification shall be submitted with a copy of the particular test data sheet(s) and preliminary data plot(s).

In the event of an apparent nonconformance, a posttest calibration check of some critically sensitive test equipment and instrumentation may be required for verification of accuracy. The necessity for the calibration shall be at the COTR's discretion and shall be performed without additional costs to the OVSC.

## 14.2 FINAL PERFORMANCE CALIBRATION REPORTS

### 14.2.1 COPIES

A report containing the pre-test calibration and post test calibration verification data for each Part 572, Subpart P dummy used in the CRS test shall be submitted with FMVSS 213 final test reports.

Contractors are required to PROOF READ all Final Test Reports before submittal to the COTR. The OVSC will not act as a report quality control office for contractors. Reports containing a significant number of errors will be returned to the contractor for correction, and a "hold" will be placed on invoice payment for the particular test.

### 14.2.2 REQUIREMENTS

Performance calibration report Table of Contents shall include the following:

- A. Section 1 — Purpose of Calibration Test
- B. Section 2 — Calibration Data Summary
- C. Section 3 — Test Data
- D. Section 4 — Test Equipment List and Calibration Information
- E. Section 5 — Photographs (if applicable)

The test data for each dummy will be presented in separate sections. Each section shall contain a title page, test results summary and the test data. The title page shall include the dummy's serial number and the manufacturer's name. It will also indicate whether the calibration data is pre or posttest. The test results sheets will provide a summary of each test and describe any damage, failures and/or corrective action taken. The test data shall include the pass/fail data sheets, the time histories for each data channel used to determine the pass or fail status, and instrumentation calibration data sheets.

### 14.2.3 FIRST PAGE

#### FRONT COVER

A heavy paperback cover (or transparency) shall be provided for the protection of the final report. The information required on the cover is as follows:

- A. Final Report Title And Subtitle such as

DUMMY PERFORMANCE CALIBRATION  
IN SUPPORT OF  
CHILD RESTRAINT SYSTEM TESTING  
FMVSS No. 213

- B. Contractor's Name and Address such as



ABC TESTING LABORATORIES, INC.  
405 Main Street  
Detroit, Michigan 48070

**NOTE:** DOT SYMBOL WILL BE PLACED BETWEEN ITEMS B AND C

- C. Date of Final Performance Calibration Report completion  
D. The sponsoring agency's name and address as follows

U. S. DEPARTMENT OF TRANSPORTATION  
National Highway Traffic Safety Administration  
Enforcement  
Office of Vehicle Safety Compliance  
400 Seventh Street, SW  
Room 6111 (NVS-222)  
Washington, DC 20590



**15. Data Sheets**

DATA SHEET D1  
DUMMY DAMAGE CHECKLIST

Dummy Serial Number \_\_\_\_\_ Test Date \_\_\_\_\_

Technician \_\_\_\_\_

This check sheet is completed as part of the posttest calibration verification.

Perform general cleaning.

Dummy Item	Inspect for	Comments	Damaged	OK
Outer skin	Gashes, rips, cracks			
Head	Ballast secure			
	General appearance			
	Broken or cracked rubber			
Neck	Upper neck bracket firmly attached to the lower neck bracket			
	Looseness at the condyle joint			
	Nodding blocks cracked or out of position			
	Broken or cracks in rubber.			
Spine	Broken or bent ribs			
	Broken or bent rib supports			
	Damping material separated or cracked			
	Rubber bumpers in place			
Chest Displacement Assembly	Bent shaft			
	Slider arm riding in track			
Transducer leads	Torn cables			

Dummy Item	Inspect for	Comments	Damaged	OK
Accelerometer Mountings	Head mounting secure			
	Chest mounting secure			
Knees	Skin condition			
	Insert (do not remove)			
Limbs	Casting			
	Normal movement and adjustment			
Knee Sliders	Wires intact			
	Rubber returned to "at rest" position			
Pelvis	Broken			
Other				

If upon visual examination, damage is apparent in any of these areas, the appropriate engineer or engineering technician is to be consulted for a decision on repair or replacement of parts.

Repair or Replacement approved by:

\_\_\_\_\_  
Signature

\_\_\_\_\_  
Date

Describe the repair or replacement of parts:

Checked by

\_\_\_\_\_  
Signature

\_\_\_\_\_  
Date

DATA SHEET D2  
EXTERNAL MEASUREMENTS  
(See the PADI, pages 65-68)

Dummy Serial Number \_\_\_\_\_ Test Date \_\_\_\_\_

Technician \_\_\_\_\_

Pretest calibration

Post test calibration verification

1. Seat the dummy on a flat, rigid, smooth, clean, dry, horizontal surface as shown in Figure 5D and 6D. The seating surface is at least 406 mm (16 in) wide and 221 mm (8 11/16 in) in depth with a vertical section at least 406 mm (16 in) wide and 610 mm (24 in) high attached to the rear of the seating fixture. The dummy's midsagittal plane is vertical and centered on the test surface.
2. Secure the dummy to the test fixture so that the upper torso and buttocks are against the rear surface.
3. Position the dummy's H-point so it is  $39.4 \pm 5.1$  mm ( $1.55 \pm 0.2$  in) above the horizontal seating surface and  $62.0 \pm 5.1$  mm ( $2.44 \pm 0.2$  in) forward of the rear vertical surface of the fixture.
4. Extend the dummy's neck so that the base of the skull is level both fore-and-aft and side-to-side, within 0.5 degrees. The rearmost surface of the head should be  $53.3 \pm 5.1$  mm ( $2.1 \pm 0.2$  in) from the vertical surface of the test fixture. A strap or bungee cord may be placed around the forehead of the dummy to stabilize the head in this position.
5. Position the upper and lower legs parallel to the midsagittal plane so the centerline between the knee pivot and the ankle pivot is parallel to the rear vertical surface of the fixture.
6. Position the feet parallel to the dummy's midsagittal plane with the bottoms horizontal and parallel to the seating surface.
7. Position the upper arms downward vertically so the centerline between the shoulders and elbow pivots is parallel to the rear vertical surface of the fixture.
8. Position the lower arms horizontally so the centerline of the lower arm-hand is parallel to the seat surface.
9. Record the dimensions listed in following table, except for dimension Q, X, Y and Z (reference figure 4D).
10. Mark the locations AA, and BB, and record the dimensions Y, Z, as specified in the following table and figure 4D. Measure and record dimensions Q and X.

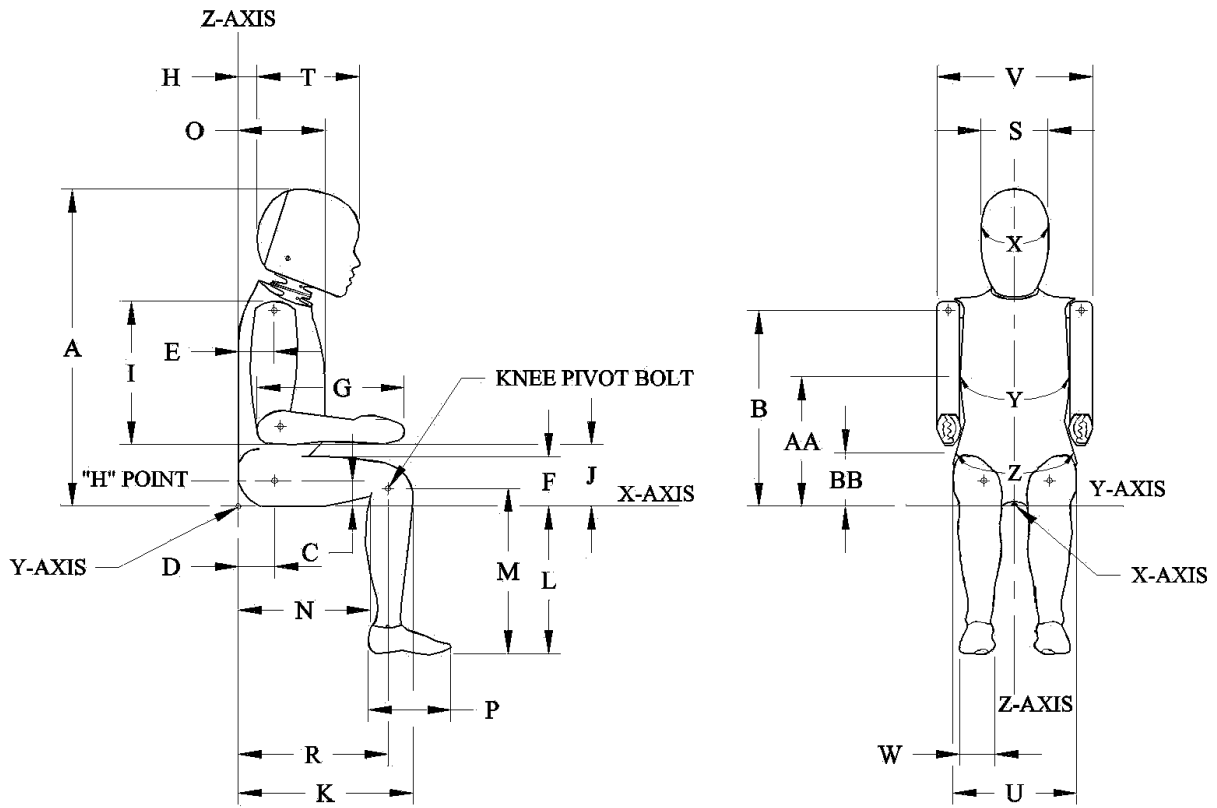
\_\_\_\_\_  
Signature

\_\_\_\_\_  
Date

## EXTERNAL DIMENSIONS

HYBRID III, PART 572, SUBPART O EXTERNAL DIMENSIONS				
DIMENSION	DESCRIPTION	DETAILS	ASSEMBLY DIMENSION (mm)	ACTUAL MEASUREMENT
A	TOTAL SITTING HEIGHT	Seat surface to highest point on top of the head.	538.5-553.7	
B	SHOULDER PIVOT HEIGHT	Centerline of shoulder pivot bolt to the seat surface.	307.4-322.6	
C	H-POINT HEIGHT	Reference	34.3-44.5	
D	H-POINT LOCATION FROM BACKLINE	Reference	56.9-67.1	
E	SHOULDER PIVOT FROM BACKLINE	Center of the shoulder pivot bolt to the fixture's rear vertical surface.	60.9-71.1	
F	THIGH CLEARANCE	Fixture's seat surface to highest point on the upper leg segment	81.0-91.2	
G	BACK OF ELBOW TO WRIST PIVOT	Back of the elbow flesh to the finger tip, in line with the elbow and wrist centerlines	247.4-262.6	
H	HEAD BACK TO BACKLINE	Rearmost surface of the head to the fixture's rear vertical surface (Reference)	48.2-58.4	
I	SHOULDER TO- ELBOW LENGTH	Measure from the highest point on top of the shoulder to the lowest part of the flesh on the elbow in line with the shoulder and elbow pivot bolts.	185.4-200.6	
J	ELBOW REST HEIGHT	Measure from the flesh below the elbow pivot bolt to the seat surface.	133.6-148.8	
K	BUTTOCK TO KNEE LENGTH	The forward most part of the knee flesh to the fixture's rear vertical surface, in line with the knee and hip pivots.	284.8-300	
L	POPLITEAL HEIGHT	Seat surface to the horizontal plane of the bottom of the feet.	218.5-233.7	
M	KNEE PIVOT HEIGHT	Centerline of knee pivot bolt to the horizontal plane of the bottom of the feet.	241.6-256.8	
N	BUTTOCK POPLITEAL LENGTH	The most forward portion of the crevice between the upper and lower legs behind the knee to the fixture's rear vertical surface.	218.0-233.2	

HYBRID III, SUBPART P EXTERNAL DIMENSIONS, continued				
DIMENSION	DESCRIPTION	DETAILS	ASSEMBLY DIMENSION (mm)	ACTUAL MEASUREMENT
O	CHEST DEPTH WITH JACKET	Measured 254.0 ± 5.1 mm above seat surface	138.5-153.7	
P	FOOT LENGTH	Tip of toe to rear of heel	137.6-147.8	
Q	STATURE	Lay the dummy out on a flat surface with the rear surfaces of the head, upper torso, buttocks and heels touching the surface and with the bottom of the feet perpendicular to that surface. Measure the distance from the bottom of the feet to the top of the head.	932.2-957.6	N/A
R	BUTTOCK TO KNEE PIVOT LENGTH	Knee pivot bolt to the fixture's rear vertical surface.	251.4-261.6	
S	HEAD BREADTH	Distance across the widest of the head at its widest point	128.3-143.5	
T	HEAD DEPTH	Distance from the forward most surface of the head to the rearmost surface of the head, in line with the midsgittal plane.	167.4-182.6	
U	HIP BREADTH	Distance across the width of the hip at the widest point of the jacket	200.7-215.9	
V	SHOULDER BREADTH	Distance between the outside edges of the shoulder flesh, in line with the shoulder pivot bolts	236.5-251.7	
W	FOOT BREADTH	The widest part of the foot	53.6-63.8	
X	HEAD CIRCUMFERENCE	At the largest location	500.4-515.6	
Y	CHEST CIRCUMFERENCE WITH JACKET	Distance around chest at reference location AA, with jacket on.	527.1-552.5	
Z	WAIST CIRCUMFERENCE	Distance around chest at reference location BB, with jacket on.	527.1-552.5	
AA	REFERENCE LOCATION FOR DIMENSION Y	Reference: 254.0 ± 5.1 MM above the seat surface	248.9-259.1	
BB	REFERENCE LOCATION FOR DIMENSION Z	Reference: 165.1 ± 5.1 MM above seat surface	160.0-170.2	



**EXTERNAL DIMENSION MEASUREMENT DESIGNATIONS**  
**FIGURE 4D**

# EXTERNAL DIMENSIONS TEST SETUP

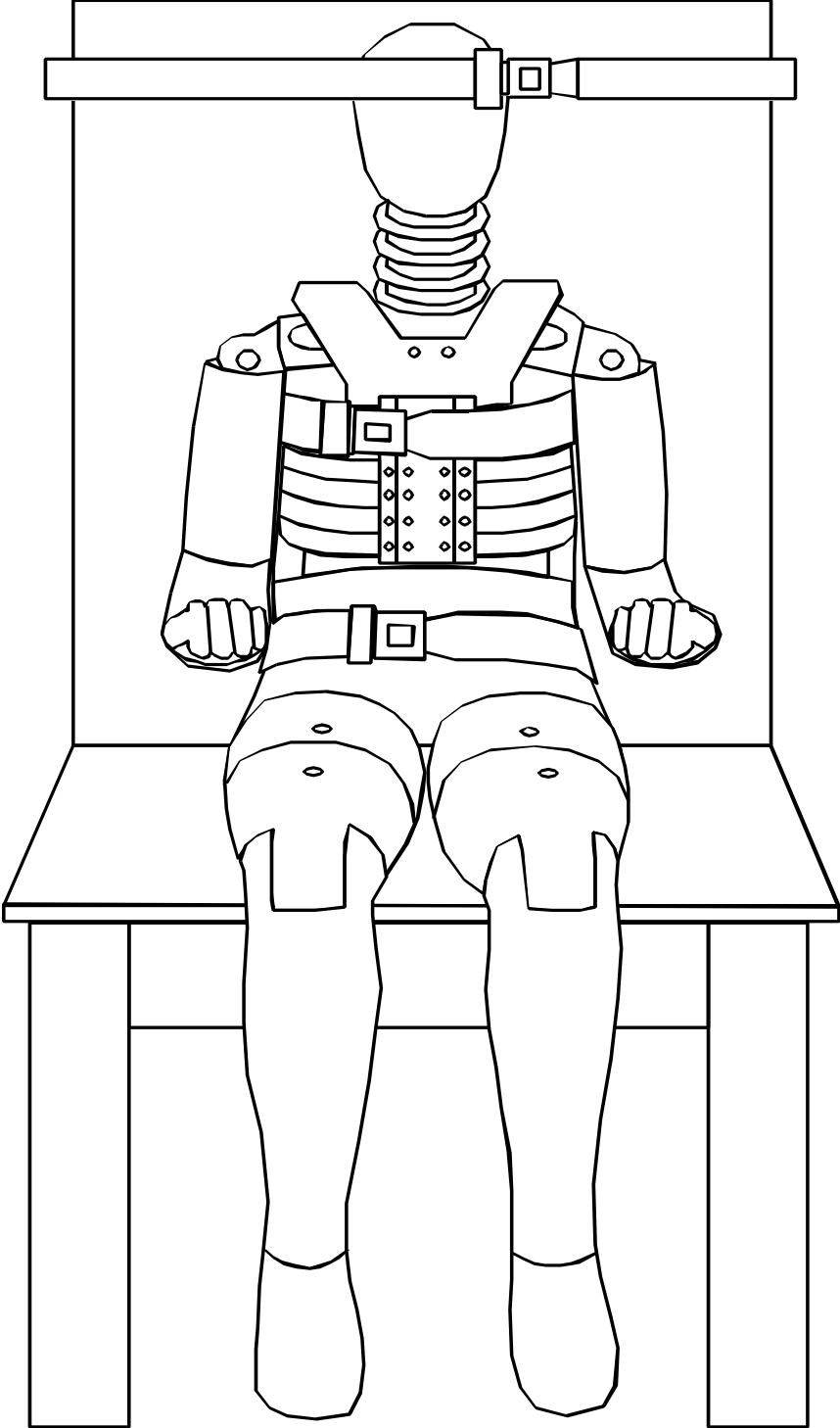


FIGURE 5B

# EXTERNAL DIMENSIONS TEST SETUP

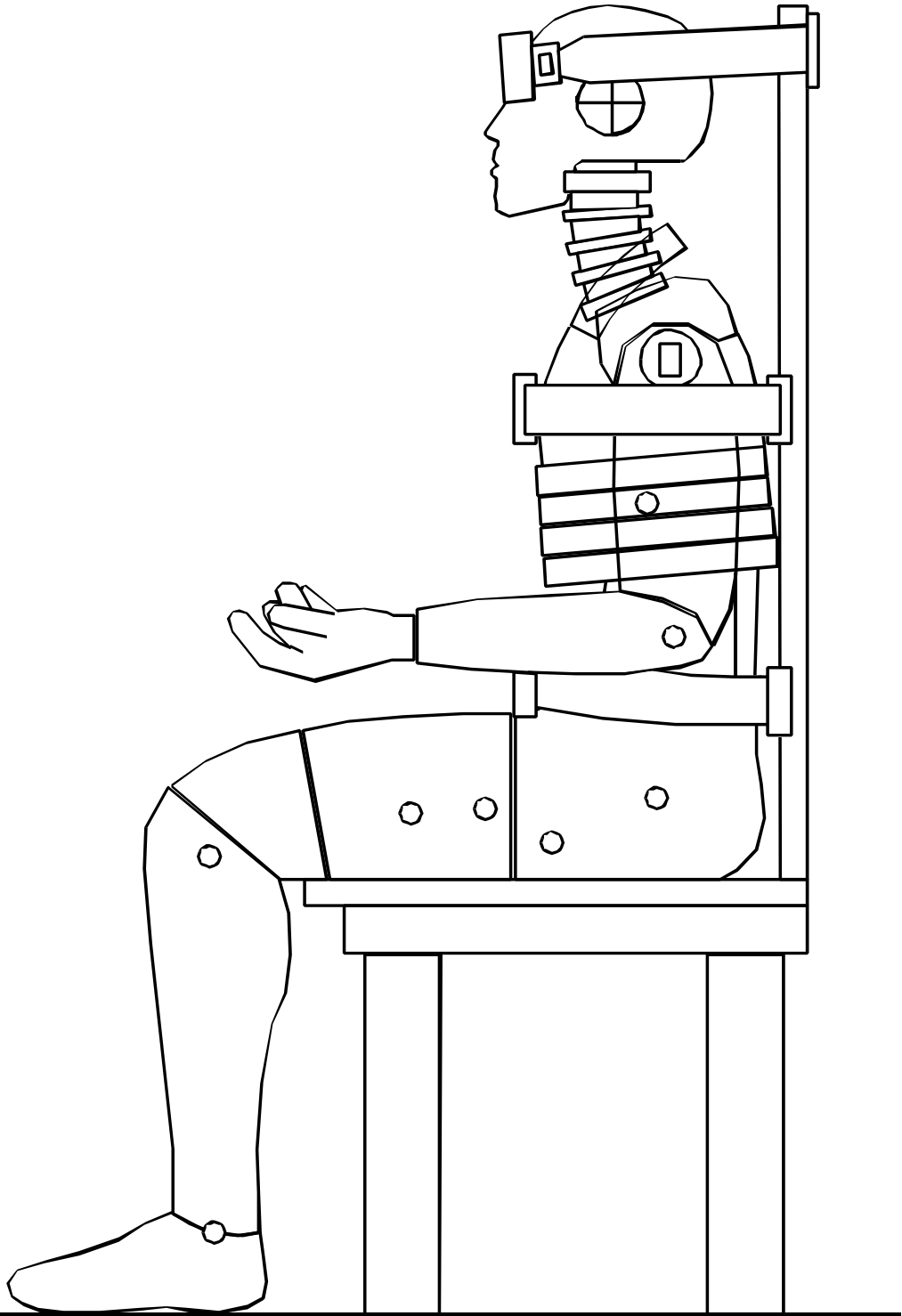


FIGURE 6D



DATA SHEET D3  
HEAD DROP TEST (572.142)

Dummy Serial Number \_\_\_\_\_ Test Date \_\_\_\_\_

Technician \_\_\_\_\_

- Pretest calibration
- Post test calibration verification

Test attempt no. \_\_\_\_\_ (when successive head drops are necessary)

- 1. It has been at least 2 hours since the last head drop. (572.142(c)(5))  
 N/A, ONLY one head drop performed
- 2. The head assembly consists of the head (210-1000), adaptor plate (ATD 6259), accelerometer mounting block (SA572-S80) structural replacement of ½ mass of the neck load transducer (TE-107-001), head mounting washer (ATD 6262) one ½-20x1" flat head cap screw (9000150), and three (3) accelerometers (SA572-S4). (572.142(a))
- 4. Accelerometers and their respective mounts are smooth and clean.
- 5. The head accelerometer mounting plate screws ((10-32 x 5/8 SHCS) are torqued to 10.2 Nm.
- 6. The data acquisition system, including transducers, conforms to the requirements of SAE Recommended Practice J211/1 MAR95. (572.146(l))
- 7. The head assembly soaked at a temperature between 18.9°C (66°F) and 25.6°C (78°F) and at a relative humidity from 10% to 70% for a period of at least four (4) hours prior to a test. (572.142(c)(1))  
Record the maximum temperature \_\_\_\_\_  
Record the minimum temperature \_\_\_\_\_  
Record the maximum humidity \_\_\_\_\_  
Record the minimum humidity \_\_\_\_\_
- 8. Visually inspect the head skin for cracks, cuts, abrasions, etc. Repair or replace the head skin if the damaged area is more than superficial. Note: If the damage resulted from the low risk deployment test in which the dummy was an occupant, the damaged area is to be documented with photography and the post test calibration verification testing completed before any replacement or repairs are made.  
Record findings and actions: \_\_\_\_\_  
\_\_\_\_\_  
\_\_\_\_\_  
\_\_\_\_\_
- 9. Clean the impact surface of the skin and the impact surface of the fixture with isopropyl alcohol, trichloroethane or equivalent prior to the test. (572.142(c)(2))

\_\_10. Suspend and orient the head assembly as shown in Figure 7D. The lowest point on the forehead is  $376.0 \pm 1.0$  mm ( $14.8 \pm 0.04$  inch) from the impact surface. (572.142(c)(3))

Record the actual distance \_\_\_\_\_

**NOTE:** The masses of the suspension device and the accelerometer cables are to be kept as lightweight as possible to minimize their effect on the test results.

\_\_11. The 3.3 mm (0.13 inch) diameter holes located on either side of the dummy's head are equidistance within 2 mm from the impact surface. (572.142(c)(3))

Record the right side distance \_\_\_\_\_

Record the left side distance \_\_\_\_\_

\_\_12. The impact surface is clean and dry and has a micro finish in the range of  $203.2 \times 10^{-6}$  mm (8 micro inches) to  $2032.0 \times 10^{-6}$  mm (80 micro inches) (RMS). (572.142(c)(4))

Record actual micro finish \_\_\_\_\_

\_\_14. The impact surface is a flat horizontal steel plate 50.8 mm (2 inches) thick and 610 mm (24 inches) square. (572.142(c)(4))

Record thickness \_\_\_\_\_

Record width \_\_\_\_\_

Record length \_\_\_\_\_

\_\_15. Drop the head assembly from a height of  $376.0 \pm 1.0$  mm (14.8 inches  $\pm$  0.04 inches) by a means that ensures a smooth, instant release onto the impact surface. (572.142(b) & (572.142(c)(4))

\_\_16. Complete the following table. (572.142(b)):

Parameter	Specification	Result
Peak resultant acceleration	$250 \text{ g} \leq x \leq 280 \text{ g}$	
Resultant versus time history curve	Unimodal	
Oscillations after the main pulse	Less than 10% of the peak resultant acceleration	
Lateral acceleration	y-axis acceleration $\leq 15 \text{ g}$	

\_\_17. Plots of the x, y, z, and resultant acceleration data follow this sheet.

\_\_\_\_\_  
Signature

\_\_\_\_\_  
Date

# HEAD DROP TEST SET-UP SPECIFICATIONS

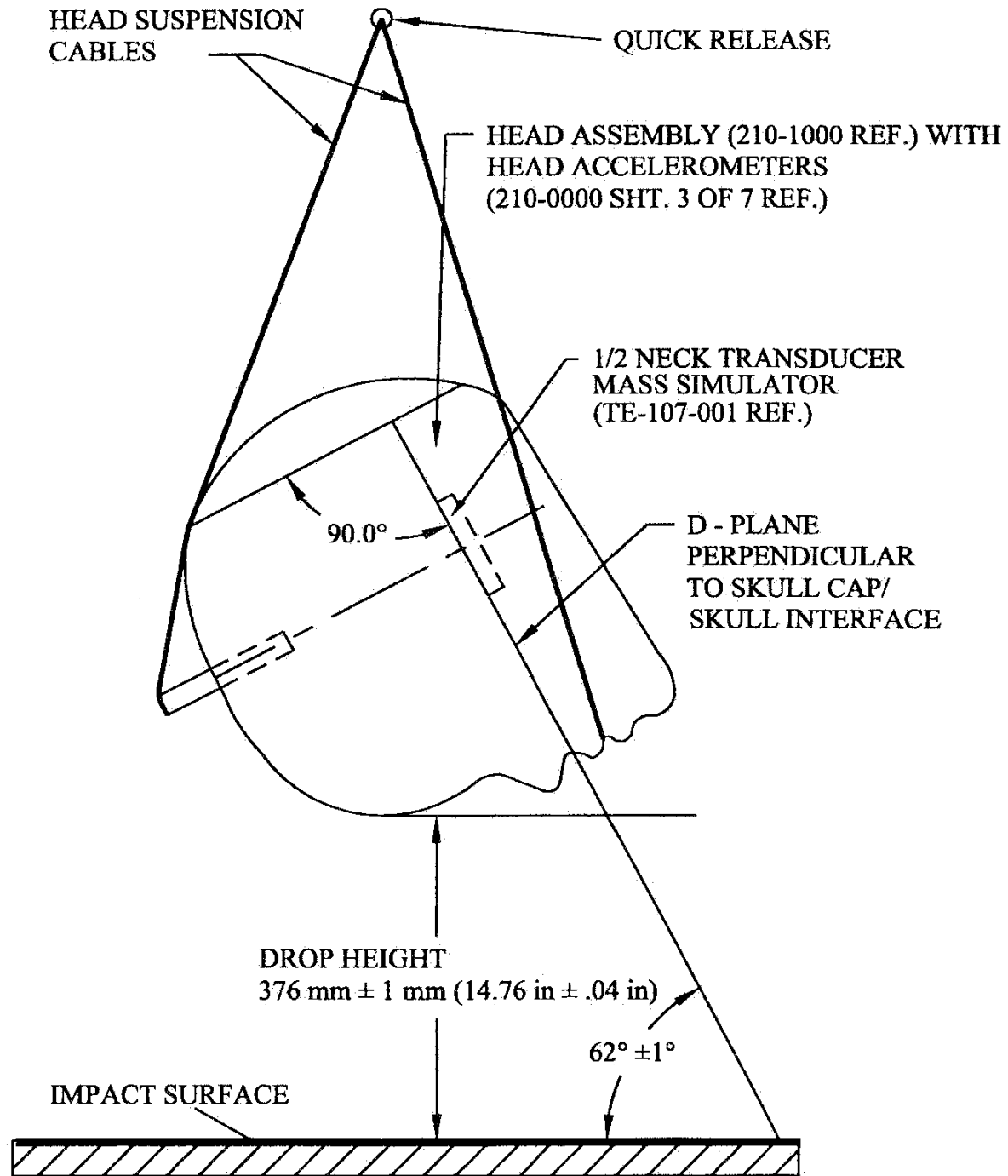


FIGURE 7D

DATA SHEET D4  
NECK FLEXION TEST (572.143)

Dummy Serial Number \_\_\_\_\_ Test Date \_\_\_\_\_

Technician \_\_\_\_\_

- Pretest calibration
- Post test calibration verification

Test attempt no. \_\_\_\_\_ (when successive flexion tests are necessary)

- 1. It has been at least 30 minutes since the last neck test. (572.146(p))  
 N/A, this is the first neck test performed
- 2. The components required for the neck tests include the neck molding assembly (210-2015), neck cable (210-2040), nylon shoulder bushing (9001373), upper mount plate insert (910420-048), bib simulator (TE-208-050), urethane washer (210-2050), neck mounting plate (TE-250-021), two jam nuts (9001336), load moment transducer (SA572-S19) and headform (TE-208-000). (572.143(a))
- 3. The assembly soaked at a temperature between 20.6°C (69°F) and 22.2°C (72°F) and at a relative humidity from 10% to 70% for a period of at least four (4) hours prior to a test. (572.143(c)(1))  
Record the maximum temperature \_\_\_\_\_  
Record the minimum temperature \_\_\_\_\_  
Record the maximum humidity \_\_\_\_\_  
Record the minimum humidity \_\_\_\_\_
- 4. Visually inspect neck assembly for cracks, cuts and separation of the rubber from the metal segments. Note: If the damage resulted from the low risk deployment test, the damaged area is to be documented with photography and the post test calibration verification testing completed before any replacement or repairs are made.  
Record findings and actions: \_\_\_\_\_  
\_\_\_\_\_  
\_\_\_\_\_  
\_\_\_\_\_
- 6. Torque the jam nut (9001336) on the neck cable (210-2040) between 0.2 Nm and 0.3 Nm. (572.143(c)(2))
- 7. The data acquisition system, including transducers, conforms to the requirements of SAE Recommended Practice J211/1 MAR95. (572.146(l))
- 8. The test fixture pendulum conforms to the specifications in Figure 8D.
- 9. The head-neck assembly is mounted on the pendulum so the midsagittal plane of the headform is vertical and coincides with the plane of motion of the pendulum as shown in Figure 9D for the flexion test. (572.143(c)(3))
- 10. Install the transducers or other devices for measuring the "D" plane rotation with respect to the pendulum longitudinal centerline. Note: Plane "D" is the top

horizontal surface of the neck load cell. These measurement devices should be designed to minimize their influence upon the performance of the head-neck assembly.

- \_\_\_ 11. Plane D is perpendicular  $\pm 1$  degree to the centerline of the pendulum.
- \_\_\_ 12. Set the instrumentation so that the moment and rotation are defined to be zero when the longitudinal centerline of the neck and pendulum are parallel. (572.143(b)(1)(iii))
- \_\_\_ 13. Release the pendulum and allow it to fall freely from a height to achieve an impact speed of 5.4 m/s to 5.6 m/s as measured at the center of the pendulum accelerometer. (572.143(c)(4))
- \_\_\_ 14. Complete the following table:

Neck Flexion Test Results (572.143(b)(1) & (572.143(c)(4)(ii))

Parameter	Specification	Result
Pendulum impact speed	5.4 m/s $\leq$ speed $\leq$ 5.6 m/s	
Pendulum $\Delta V$ with respect to impact speed	@ 10ms	2.0 m/s $\leq \Delta V \leq$ 2.7 m/s
	@ 15 ms	3.0 m/s $\leq \Delta V \leq$ 4.0 m/s
	@ 20ms	4.0 m/s $\leq \Delta V \leq$ 5.1 m/s
Plane D Rotation	Peak moment* 42 Nm $\leq$ moment $\leq$ 53 Nm during the following rotation range 70° $\leq$ angle $\leq$ 82°	___ Nm @ ___ degrees
Positive Moment Decay** (Flexion)	Time to decay to 10 Nm 60 ms $\leq$ time $\leq$ 80ms	

\*The moment is a direct reading from the load cell

\*\*Time zero is defined as the time of initial contact between the pendulum striker plate and the honeycomb material. (572.143(c)(4)(iii))

- \_\_\_ 15. Plots of pendulum acceleration, pendulum velocity, neck y-axis moment, and neck rotation about the y-axis follow this sheet.

\_\_\_\_\_  
Signature

\_\_\_\_\_  
Date

DATA SHEET D5  
NECK EXTENSION TEST (572.133)

Dummy Serial Number \_\_\_\_\_ Test Date \_\_\_\_\_

Technician \_\_\_\_\_

- Pretest calibration
- Post test calibration verification

Test attempt no. \_\_\_\_\_ (when successive extension tests are necessary)

- 1. It has been at least 30 minutes since the last neck test. (572.146(p))  
 N/A, this is the first neck test performed
- 2. The components required for the neck tests include the neck molding assembly (210-2015), neck cable (210-2040), nylon shoulder bushing (9001373), upper mount plate insert (910420-048), bib simulator (TE-208-050), urethane washer (210-2050), neck mounting plate (TE-250-021), two jam nuts (9001336), load moment transducer (SA572-S19) and headform (TE-208-000). (572.143(a))
- 3. The assembly soaked at a temperature between 20.6°C (69°F) and 22.2°C (72°F) and at a relative humidity from 10% to 70% for a period of at least four (4) hours prior to a test. (572.143(c)(1))  
Record the maximum temperature \_\_\_\_\_  
Record the minimum temperature \_\_\_\_\_  
Record the maximum humidity \_\_\_\_\_  
Record the minimum humidity \_\_\_\_\_
- 4. Visually inspect neck assembly for cracks, cuts and separation of the rubber from the metal segments. Note: If the damage resulted from the low risk deployment test, the damaged area is to be documented with photography and the post test calibration verification testing completed before any replacement or repairs are made.  
Record findings and actions: \_\_\_\_\_  
\_\_\_\_\_  
\_\_\_\_\_  
\_\_\_\_\_
- 6. Torque the jam nut (9001336) on the neck cable (210-2040) between 0.2 Nm and 0.3 Nm. (572.143(c)(2))
- 7. The data acquisition system, including transducers, conforms to the requirements of SAE Recommended Practice J211/1 MAR95. (572.146(l))
- 8. The test fixture pendulum conforms to the specifications in Figure 8D.
- 9. The head-neck assembly is mounted on the pendulum so the midsagittal plane of the headform is vertical and coincides with the plane of motion of the pendulum as shown in Figure 10D for the extension test. (572.143(c)(3))
- 10. Install the transducers or other devices for measuring the "D" plane rotation with respect to the pendulum longitudinal centerline. Note: Plane "D" is the top

horizontal surface of the neck load cell. These measurement devices should be designed to minimize their influence upon the performance of the head-neck assembly.

- \_\_\_ 11. Plane D is perpendicular  $\pm 1$  degree to the centerline of the pendulum.
- \_\_\_ 12. Set the instrumentation so that the moment and rotation are defined to be zero when the longitudinal centerline of the neck and pendulum are parallel. (572.143(b)(2)(iii))
- \_\_\_ 13. Release the pendulum and allow it to fall freely from a height to achieve an impact speed of 3.55 m/s to 3.75 m/s as measured at the center of the pendulum accelerometer. (572.143(c)(4))
- \_\_\_ 14. Complete the following table:

Neck Extension Test Results (572.143(b)(2) & (572.143(c)(4)(ii))

Parameter	Specification	Result
Pendulum impact speed	$3.55 \text{ m/s} \leq \text{speed} \leq 3.75 \text{ m/s}$	
Pendulum $\Delta V$ with respect to impact speed	@ 6 ms	$1.0 \text{ m/s} \leq \Delta V \leq 1.4 \text{ m/s}$
	@ 10 ms	$1.9 \text{ m/s} \leq \Delta V \leq 2.5 \text{ m/s}$
	@ 14 ms	$2.8 \text{ m/s} \leq \Delta V \leq 3.5 \text{ m/s}$
Plane D Rotation	Peak moment* $-53.3 \text{ Nm} \leq \text{moment} \leq -43.7 \text{ Nm}$ during the following rotation range $83 \leq \text{angle} \leq 93$	___ Nm @ ___ degrees
Negative Moment Decay** (Extension)	Time to decay to -10 Nm $60 \text{ ms} \leq \text{time} \leq 80 \text{ ms}$	

\*The moment is a direct reading from the load cell

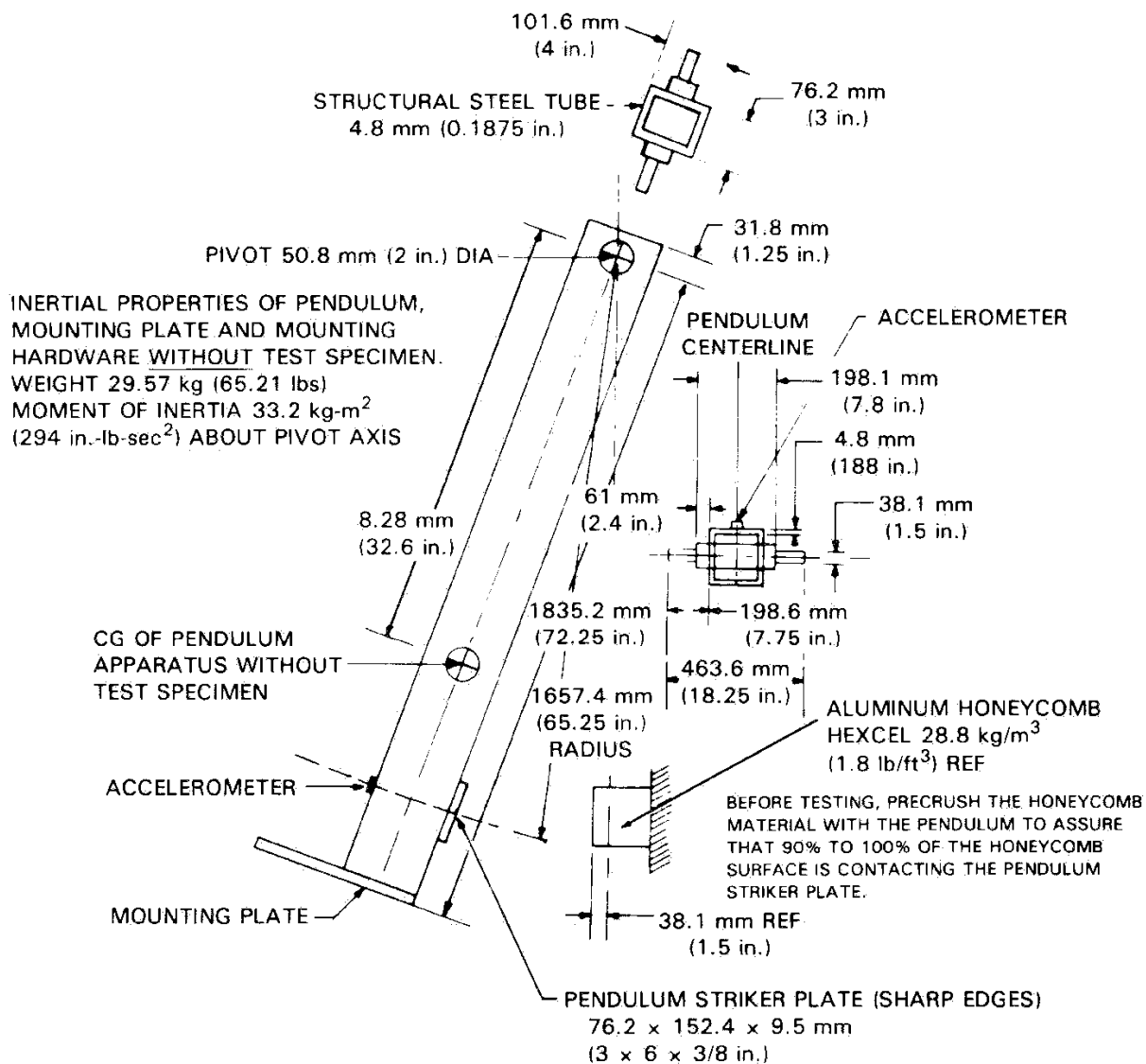
\*\*Time zero is defined as the time of initial contact between the pendulum striker plate and the honeycomb material. (572.143(c)(4)(iii))

- \_\_\_ 15. Plots of pendulum acceleration, pendulum velocity, neck y-axis moment, and neck rotation about the y-axis follow this sheet.

\_\_\_\_\_  
Signature

\_\_\_\_\_  
Date

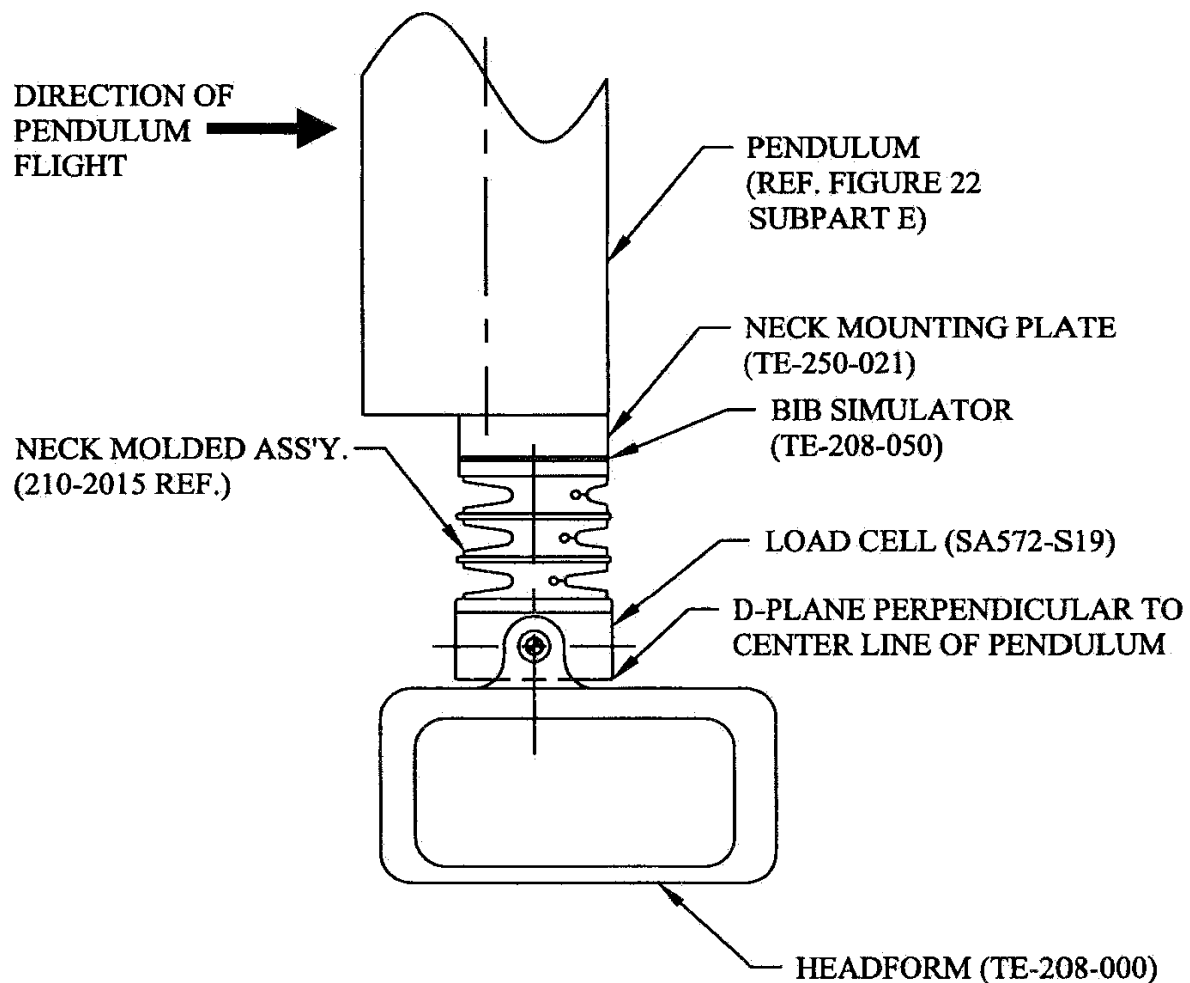
## PENDULUM SPECIFICATIONS



**FIGURE 8D**



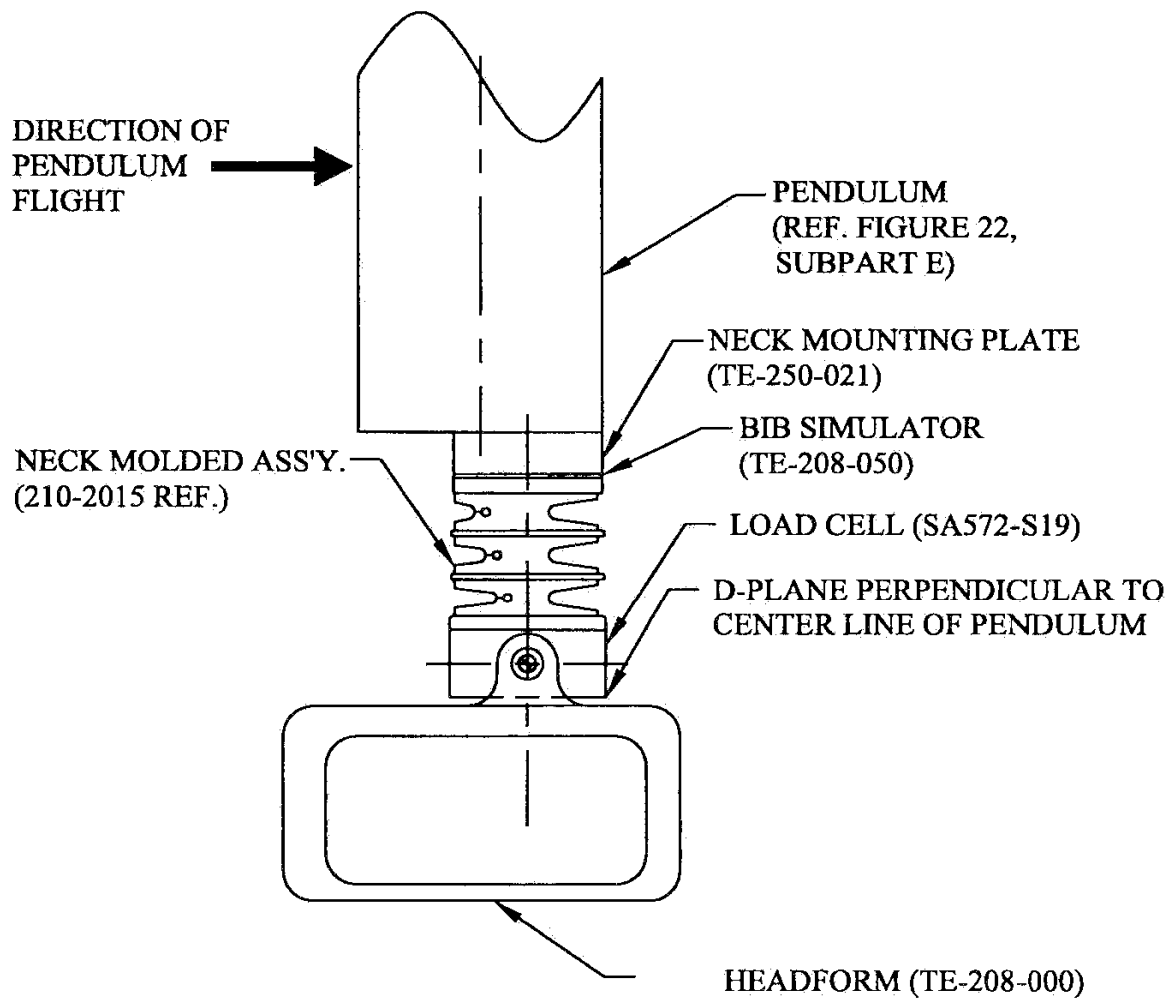
## NECK FLEXION TEST SET-UP SPECIFICATIONS



NOTE: MOUNT NECK AT LEADING EDGE OF PENDULUM TO AVOID INTERFERENCE WITH HEADFORM MOTION.  
PENDULUM SHOWN IN VERTICAL ORIENTATION.

FIGURE 9D

## NECK EXTENSION TEST SET-UP SPECIFICATIONS



NOTE: MOUNT NECK AT LEADING EDGE OF PENDULUM TO AVOID INTERFERENCE WITH HEADFORM MOTION.  
PENDULUM SHOWN IN VERTICAL ORIENTATION.

FIGURE 10D

DATA SHEET D6  
THORAX IMPACT TEST (572.144)

Dummy Serial Number \_\_\_\_\_ Test Date \_\_\_\_\_

Technician \_\_\_\_\_

- Pretest calibration
- Post test calibration verification

Test attempt no. \_\_\_\_\_ (when successive thorax impact tests are necessary)

- 1. It has been at least 30 minutes since the last thorax impact test. (572.146(p))  
 N/A, ONLY one thorax impact test performed
- 2. The test fixture conforms to the specifications in Figure 11D.
- 3. The complete assembled dummy (210-0000) is used (572.144(b)) and is dressed in cotton-polyester-based tight-fitting long sleeved shirt and ankle length pants. The weight of the shirt and pants shall not exceed 0.25 kg. (572.144(c)(1))
- 4. The dummy assembly soaked at a temperature between 20.6°C (69°F) and 22.2°C (72°F) and at a relative humidity from 10% to 70% for a period of at least four (4) hours prior to this test. (572.144(c)(2))  
Record the maximum temperature \_\_\_\_\_  
Record the minimum temperature \_\_\_\_\_  
Record the maximum humidity \_\_\_\_\_  
Record the minimum humidity \_\_\_\_\_
- 5. Remove the arms.
- 6. Unzip the 3 zippers and fold down the chest jacket. Visually inspect the thorax assembly for cracks, cuts, abrasions, etc. Particular attention should be given to the rib damping material, chest displacement transducer assembly and the rear rib supports. Inspect for rib deformation using the chest depth gage. If any damage is noted repair and/or replace the damaged components unless the damage resulted from the vehicle crash test in which the dummy was an occupant in which case the damage must be documented and post test calibration verification testing completed before any repairs or replacements are made.  
 - No damage  
 - Damage from crash test, no repairs or replacement because this is a post test calibration verification. Record damage \_\_\_\_\_  
\_\_\_\_\_  
 - The following repairs or replacement was performed. Record \_\_\_\_\_  
\_\_\_\_\_
- 7. Seat the dummy, without back and arm supports on the test fixture surface as shown in Figure 11D. The surface must be long enough to support the pelvis and outstretched legs. (572.144(c)(3))
- 8. Level the middle rib both longitudinally and laterally  $\pm 0.5^\circ$ . (572.144(c)(3))

- \_\_\_9. The midsagittal plane of the dummy is vertical within  $\pm 1^\circ$ . (572.144(c)(3))
- \_\_\_10. The longitudinal centerline of the test probe is centered within  $\pm 2.5$  mm of the midsagittal plane of the dummy and is centered on the center of the No. 2 rib within  $\pm 2.5$  mm within  $\pm 0.5^\circ$  of a horizontal line in the dummy's midsagittal plane. (572.144(c)(4))
- \_\_\_11. Record locations such as the rear surfaces of the thoracic spine and the lower neck bracket reference with respect to the laboratory coordinate system. These reference measurements are necessary to ensure the dummy is in the same position after the chest skin is rolled up and zipped, and the arms installed. The reference locations must be accessible after the chest skin is rolled up and the arms installed. It will be necessary to leave the chest skin zipper unfastened until the references are checked and then fasten it just prior to the test.
- \_\_\_12. Install the chest skin and arms, and reposition the dummy using the reference measurements recorded.
- \_\_\_13. Place the upper arms parallel to the torso. Place the lower arms horizontal and forward and parallel to the midsagittal plane. (572.144(c)(3))
- \_\_\_14. The data acquisition system, including transducers, must conform to the requirements of SAE Recommended Practice J211/1 MAR95 (572.146(l)).
- \_\_\_15. Impact the anterior surface of the thorax with the test probe so the longitudinal centerline of the probe is within  $2^\circ$  of a horizontal line in the dummy's midsagittal plane at the moment of impact. (572.144(c)(5)) The velocity of the test probe at the time of impact is between 5.9 m/s and 6.1 m/s. (572.144(b)) The probe is guided so there is no significant lateral, vertical or rotational movement during the impact. (572.144(c)(6)) Neither the suspension hardware, suspension cables, nor other attachments to the probe, including the velocity vane, make contact with the dummy during the test. (572.144(c)(7))

\_\_16. Complete the following table:

Thorax Impact Results (572.144(b) and 572.144(b)(1)&(2))

Parameter*	Specification	Result
Test Probe Speed	$5.9 \text{ m/s} \leq \text{speed} \leq 6.1 \text{ m/s}$	
Chest Compression	$32 \text{ mm} \leq \text{compression} \leq 38 \text{ mm}$	
Peak force** between 32 and 38 mm chest compression	$680 \text{ N} \leq \text{peak force} \leq 810 \text{ N}$	
Peak force** between 12.5 and 32.0 mm chest compression	Peak force $\leq 910 \text{ N}$	
Internal Hysteresis***	$65\% \leq \text{hysteresis} \leq 85\%$	

\*Time zero is defined as the time of initial contact between the test probe and the chest skin.

\*\*Force = impactor mass x acceleration (572.144(b)(3))

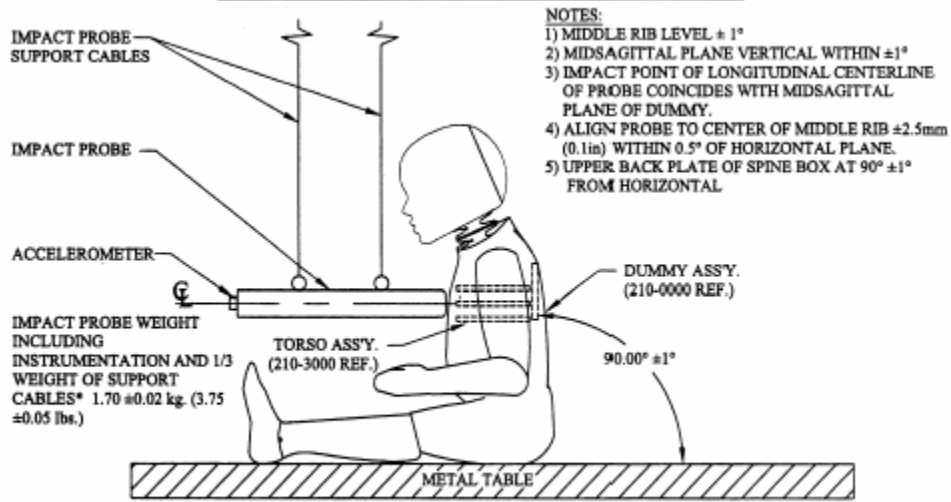
\*\*\*Area under loading curve minus the area under the unloading curve divided by the area under the loading curve. (Figure 12D)

\_\_17. Plots of chest compression, pendulum acceleration, pendulum force, and force versus deflection follow this sheet.

\_\_\_\_\_  
Signature

\_\_\_\_\_  
Date

### THORAX IMPACT TEST SET-UP SPECIFICATIONS

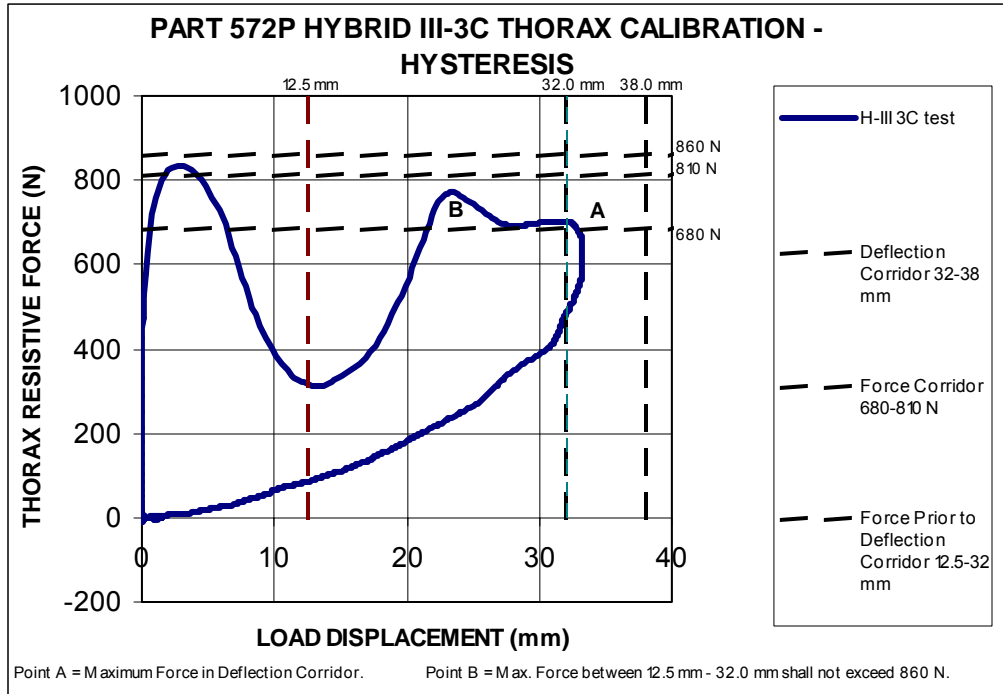


\* 1/3 WEIGHT OF PROBE SUPPORT CABLES AND THEIR ATTACHMENTS TO THE IMPACT PROBE NOT TO EXCEED 5% OF THE TOTAL IMPACT PROBE WEIGHT.

#### Probe specifications:

1. Rigid metallic construction, concentric its longitudinal axis.
2. A mass of  $1.7 \pm 0.02$  kg ( $3.75 \pm 0.05$  lbs). 1/3 of the weight of the suspension cables and their attachments to the impact probe are included in the calculation of mass, and such components may not exceed 5 percent of the total weight of the probe.
3. Minimum mass moment of inertia of  $164$  kg-cm<sup>2</sup> ( $0.145$  lbs-in-sec<sup>2</sup>) in yaw and pitch about the center of gravity.
4. The impacting end of the probe is perpendicular to and concentric with the longitudinal axis. It has a flat, continuous, and non-deformable face with diameter of  $50.8 \pm 0.2$  mm ( $2.00 \pm 0.01$  in) and a maximum edge radius of 7.6-12.7 mm (0.3-0.5 in).
5. The impactor is a cylinder with a diameter of 53.3 mm (2.1 in) and it is at least 25.4 mm (1.0 in) long.
6. The probe's end opposite to the impact face must have provisions for mounting of an accelerometer with its sensitive axis collinear with the longitudinal axis of the probe.
7. The impact probe shall have a free air resonant frequency of not less than 1000 Hz in the direction of the longitudinal direction of the impactor.

**FIGURE 11D**



**FIGURE 12D**

DATA SHEET D7  
TORSO FLEXION TEST (572.145)

Dummy Serial Number \_\_\_\_\_ Test Date \_\_\_\_\_

Technician \_\_\_\_\_

Pretest calibration  
 Post test calibration verification

Test attempt no. \_\_\_\_\_ (when successive torso flexion tests are necessary)

- 1. It has been at least 30 minutes since the last torso flexion test. (572.146(p))  
 N/A, ONLY one thorax impact test performed
- 2. The test fixture conforms to the specifications in Figure 13D.
- 3. The complete assembled dummy (210-0000) is used with or without the lower legs. (572.145(c)(2)).  
 with legs below the femurs.  
 without legs below the femurs.
- 4. The dummy assembly soaked at a temperature between 18.9°C (66°F) and 25.6°C (78°F) and at a relative humidity from 10% to 70% for a period of at least four (4) hours prior to this test. (572.145(c)(1))  
Record the maximum temperature \_\_\_\_\_  
Record the minimum temperature \_\_\_\_\_  
Record the maximum humidity \_\_\_\_\_  
Record the minimum humidity \_\_\_\_\_
- 5. Unzip the torso jacket and remove the lumbar load transducer or its structural replacement from the dummy. Attach the rigid pelvis attachment fixture to the lumbar spine. (572.145(c)(2)(i)&(ii))
- 5. Secure the fixture to the table so that the pelvis-lumbar joining surface is horizontal within  $\pm 1^\circ$  and the buttocks and upper legs of the seated dummy are in contact with the test surface. (572.145(c)(2)(iii))
- 6. Attach the loading adapter bracket to the upper part of the torso as shown in Figure 13D and zip up the torso jacket. (572.145(c)(2)(iv))
- 7. Place the upper arms parallel to the torso and the lower arms extended horizontally and forward, parallel to the midsagittal plane. (572.145(c)(2)(v))
- 8. Flex the dummy forward and back 3 times such that the angle of the torso reference plane moves between  $0^\circ$  and  $30^\circ \pm 2^\circ$ . The torso reference plane is defined by the transverse plane tangent to the posterior surface of the upper backplate of the spine box weldment (210-8020). (572.145(c)(3)(i))
- 9. Remove all externally applied flexion forces and support the dummy such that the torso reference plane is at or near  $0^\circ$ . Wait at least 30 minutes before continuing. (572.135(c)(3)(ii))
- 10. Remove all external support that was implemented in 9 above and wait 2 minutes. (572.145(c)(4))



- \_\_11. Measure the initial orientation angle of the upper torso reference plane of the seated, unsupported dummy. (572.145(c)(4))  
Record reference plane angle (max. allowed 15°)\_\_\_\_\_
- \_\_12. Attach the pull cable and the load cell while maintaining the initial torso orientation. (572.145(c)(5))
- \_\_13. Apply a tension force in the midsagittal plane to the pull cable at any upper torso deflection rate between 0.5° and 1.5° per second, until the torso reference plane reaches 45° ± 0.5° of flexion relative to the vertical transverse plane. (572.145(c)(5))
- \_\_14. Maintain angle reference plane at 45° ± 0.5° of flexion for 10 seconds and record the highest applied force during this period. (572.145(c)(6))
- \_\_15. As quickly as possible release the force applied to the attachment bracket. (572.145(c)(8))
- \_\_16. 3 to 4 minutes after the release of the force, measure the angle reference plane. (572.145(c)(8))
- \_\_17. Complete the following table:

Torso Flexion Results (572.145(b)(1)&(2), 572.145(c)(4), (572.145(c)(5))

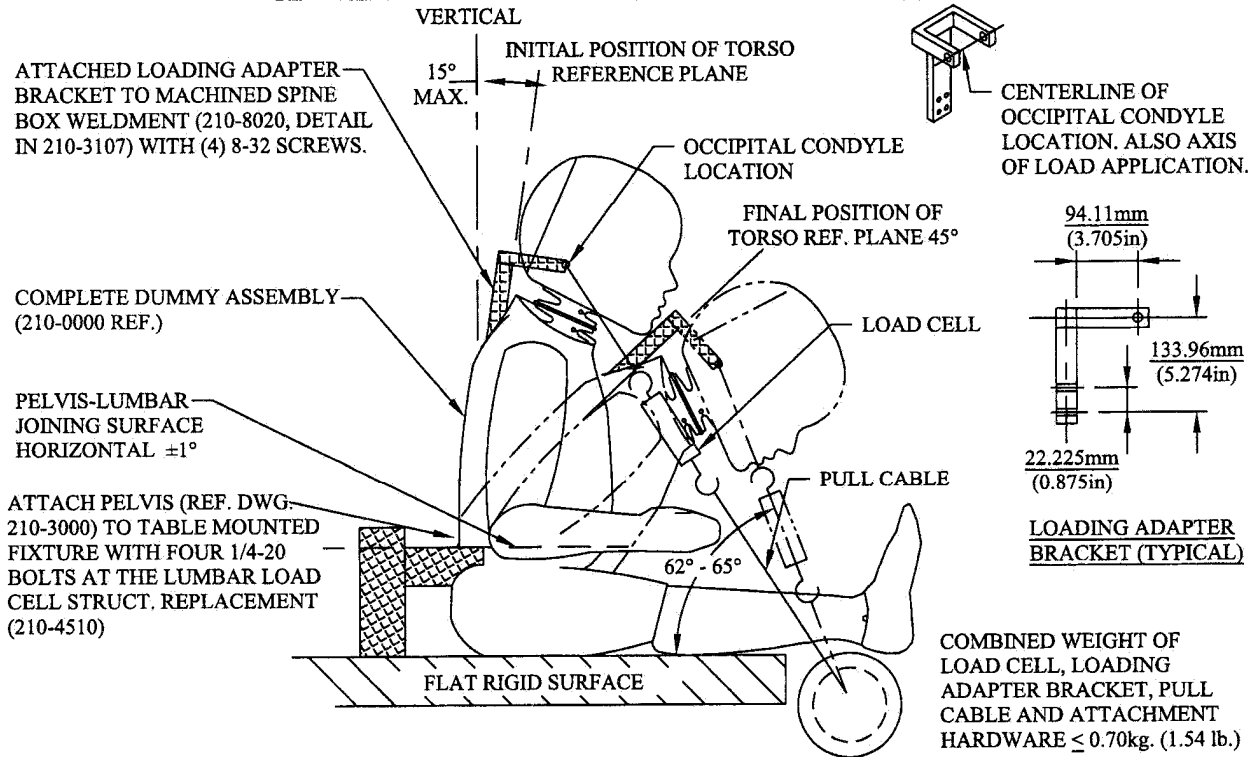
Parameter	Specification	Result
Initial ref. plane angle	Angle ≤ 15°	
Torso rotation rate	0.5°/s ≤ rate ≤ 1.5°/s	
Force at 45° ±0.5°	130 N ≤ force ≤ 180 N	
Final ref. plane angle	Initial ref. plane angle ±10°	

- \_\_18. A plot of the force versus time follows this sheet.

\_\_\_\_\_  
Signature

\_\_\_\_\_  
Date

## TORSO FLEXION TEST SET-UP SPECIFICATION



**FIGURE 13D**

**DATA SHEET D8  
PART 572 INSTRUMENTATION CALIBRATION INFORMATION**

I.D. NO.	MANUFACTURER	MODEL NO.	SERIAL NO.	DATE OF LAST CALIBRATION	DATE OF NEXT CALIBRATION
<b>DUMMY INSTRUMENTATION</b>					
<b>HEAD ACCELEROMETERS</b>					
(1) LONGITUDINAL					
(2) LATERAL					
(3) VERTICAL					
NECK TRANSDUCER					
<b>CHEST ACCELEROMETERS</b>					
(1) LONGITUDINAL					
(2) LATERAL					
(3) VERTICAL					
CHEST POTENTIOMETER					
<b>FEMUR LOAD CELLS</b>					
(1) RIGHT FEMUR					
(2) LEFT FEMUR					
<b>LABORATORY INSTRUMENTATION</b>					
NECK PENDULUM ACCELEROMETER					
THORAX PENDULUM ACCELEROMETER					
KNEE PENDULUM ACCELEROMETER					
NECK ROTATION TRANSDUCER 1 (OPTIONAL)					
NECK ROTATION TRANSDUCER 2 (OPTIONAL)					

LABORATORY TECHNICIAN: \_\_\_\_\_