



US00D671049S

(12) **United States Design Patent**
Davidson et al.

(10) **Patent No.:** **US D671,049 S**

(45) **Date of Patent:** **** Nov. 20, 2012**

(54) **VEHICLE BUMPER UNIT**

(75) Inventors: **Benjamin Davidson**, Torrance, CA (US); **Chirag Patel**, Dallas, TX (US)

(73) Assignee: **Honda Motor Co., Ltd.**, Tokyo (JP)

(**) Term: **14 Years**

(21) Appl. No.: **29/399,506**

(22) Filed: **Aug. 15, 2011**

(51) **LOC (9) Cl.** **12-16**

(52) **U.S. Cl.** **D12/169**

(58) **Field of Classification Search** D12/169,
D12/196, 171, 216, 163, 86, 90-92; 293/102,
293/113, 115, 117, 120; 296/180.1, 180.2
See application file for complete search history.

(56) **References Cited**

U.S. PATENT DOCUMENTS

D610,503 S * 2/2010 Bucher et al. D12/169
D610,504 S * 2/2010 Bucher et al. D12/169

D626,470 S * 11/2010 Komuro D12/169
D637,535 S * 5/2011 Yukawa et al. D12/169
D639,215 S * 6/2011 Faghizadeh D12/169
D640,613 S * 6/2011 Bauer et al. D12/169

* cited by examiner

Primary Examiner — Melody N Brown

(74) *Attorney, Agent, or Firm* — Plumsea Law Group, LLC;
Mark E. Duell

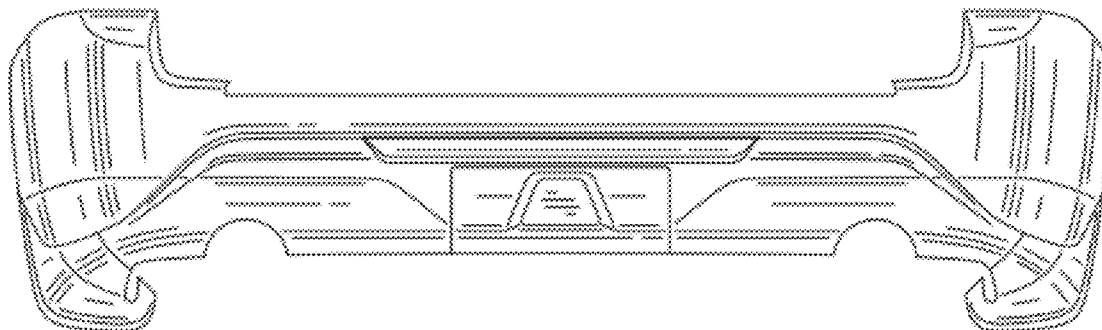
(57) **CLAIM**

The ornamental design for a vehicle bumper unit, as shown and described.

DESCRIPTION

FIG. 1 is a perspective view of a vehicle bumper unit showing our new design;
FIG. 2 is a front elevational view thereof;
FIG. 3 is a side elevational view thereof, the opposite side elevational view being a mirror image; and,
FIG. 4 is a top plan view thereof.

1 Claim, 2 Drawing Sheets



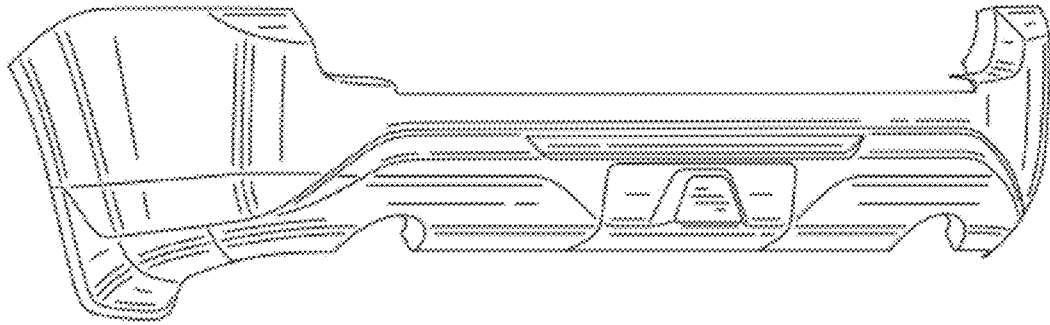


FIG. 1

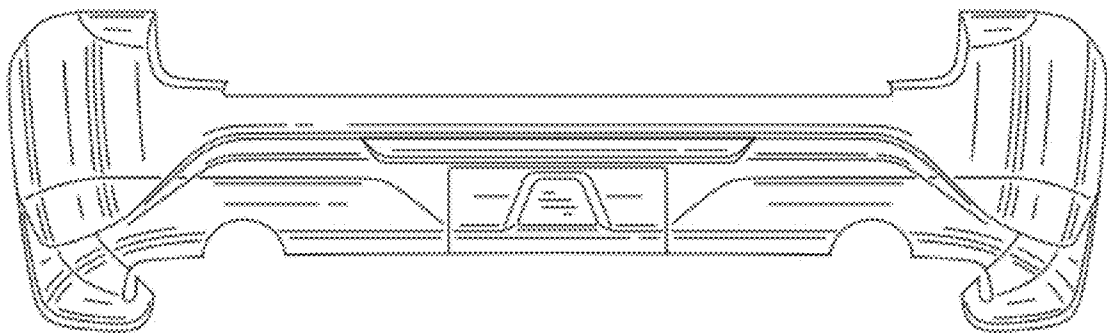


FIG. 2

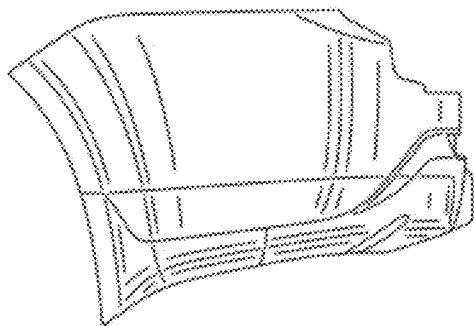


FIG. 3

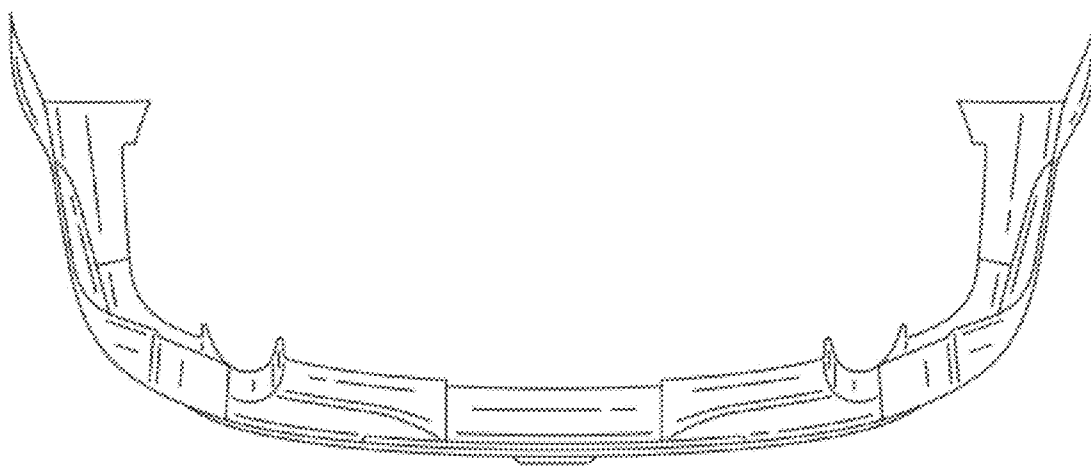


FIG. 4